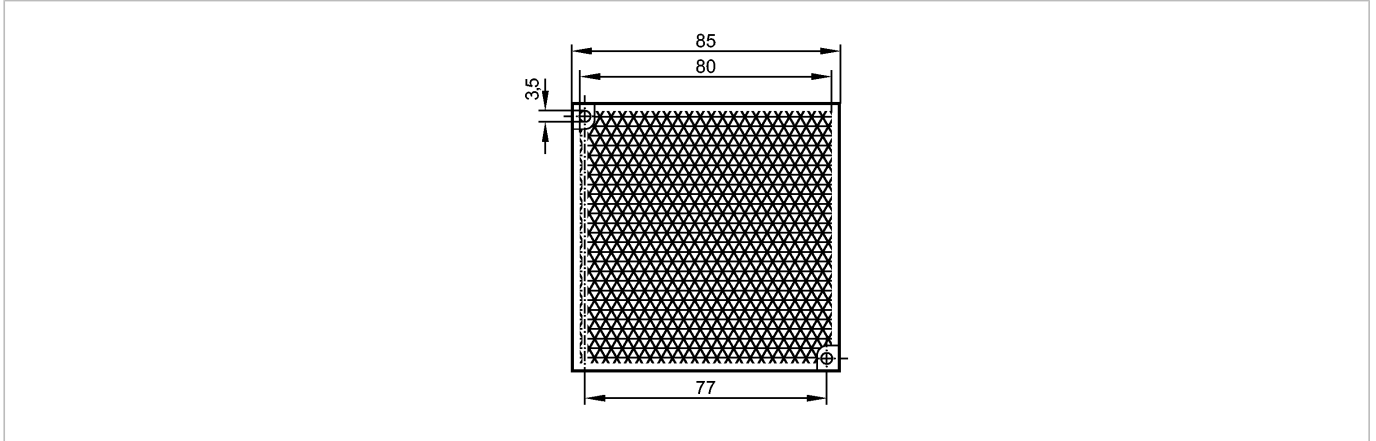




REFLECTOR TS-80X80

Accessories



Product characteristics

Prismatic reflector

80 x 80 mm

Environment

Ambient temperature [°C] -10...60

Mechanical data

Design rectangular; for red light and infrared light retro-reflective sensors

Thickness [mm] 9

Housing materials plastics

Weight [kg] 0.045

Remarks

Pack quantity [piece] 1