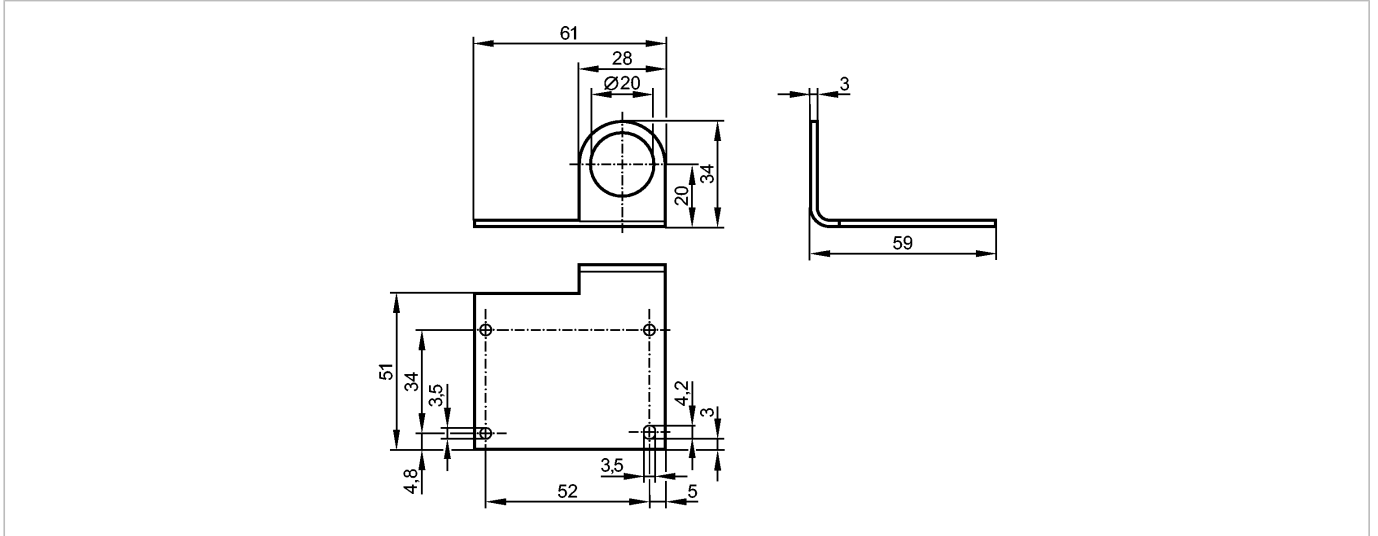




ANGLE BRACKET REFLECTOR

Accessories



Product characteristics

Angle bracket

Mechanical data

Design

for reflector; 50 x 50 mm

Housing materials

fixture: stainless steel 316Ti / 1.4571

Weight

[kg]

0.111

Remarks

Pack quantity

[piece]

1