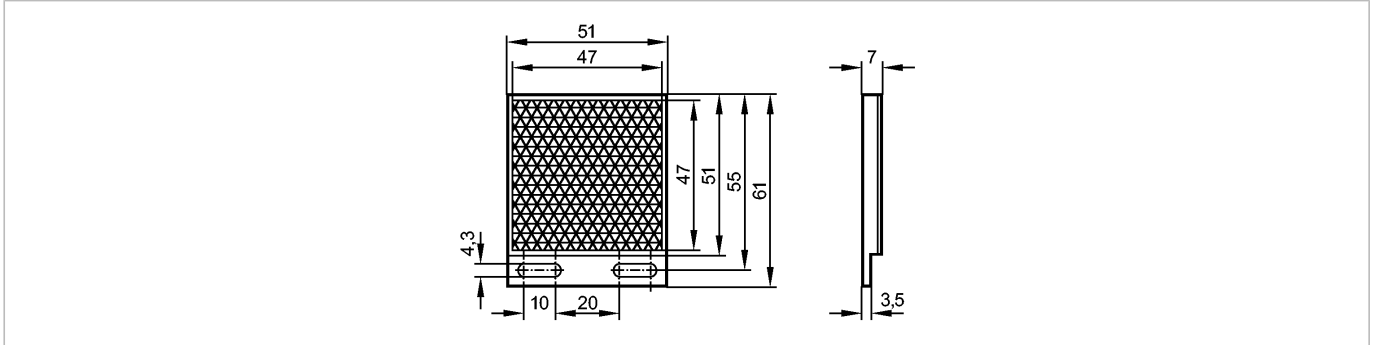




REFLECTOR LASER TS-48X48

Accessories



Product characteristics

Prismatic reflector

48 x 48 mm

Environment

Ambient temperature [°C] -10...60

Mechanical data

Design rectangular; for retro-reflective laser sensors and glass and film detection

Thickness [mm] 7

Housing materials plastics

Weight [kg] 0.014

Remarks

Pack quantity [piece] 1