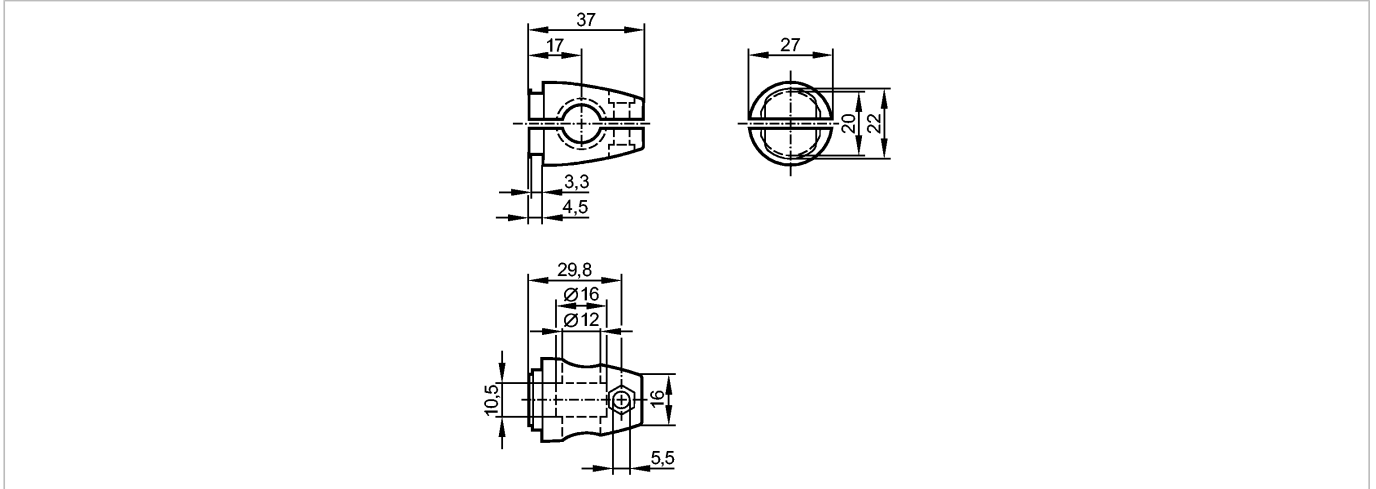




CLAMP KR

Accessories



Product characteristics

clamp

Ø 12 mm

Mechanical data

Housing materials

clamp: diecast zinc

Type of mounting

rod mounting Ø 12 mm

Weight [kg]

0.079

Remarks

Pack quantity [piece]

1