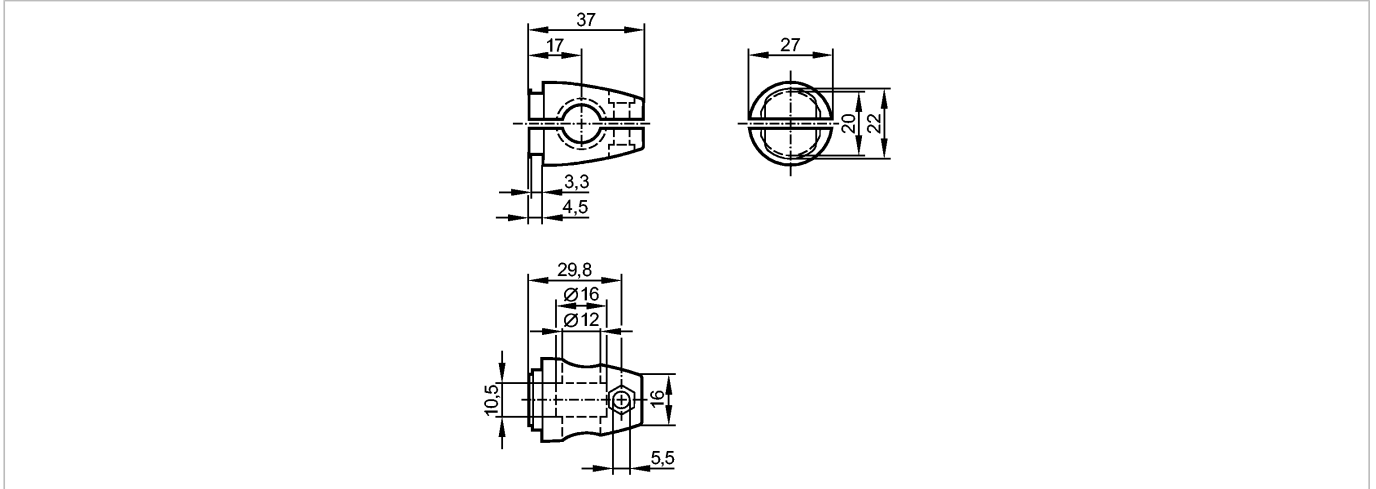




CLAMP KF

Accessories



Product characteristics

clamp

Ø 12 mm; M10

Mechanical data

Housing materials

clamp: diecast zinc

Type of mounting

free-standing M10

Weight [kg]

0.148

Accessories

Accessories (included)

Head cap screw; M10 x 55

Remarks

Pack quantity [piece]

1