

no longer available - archive entry

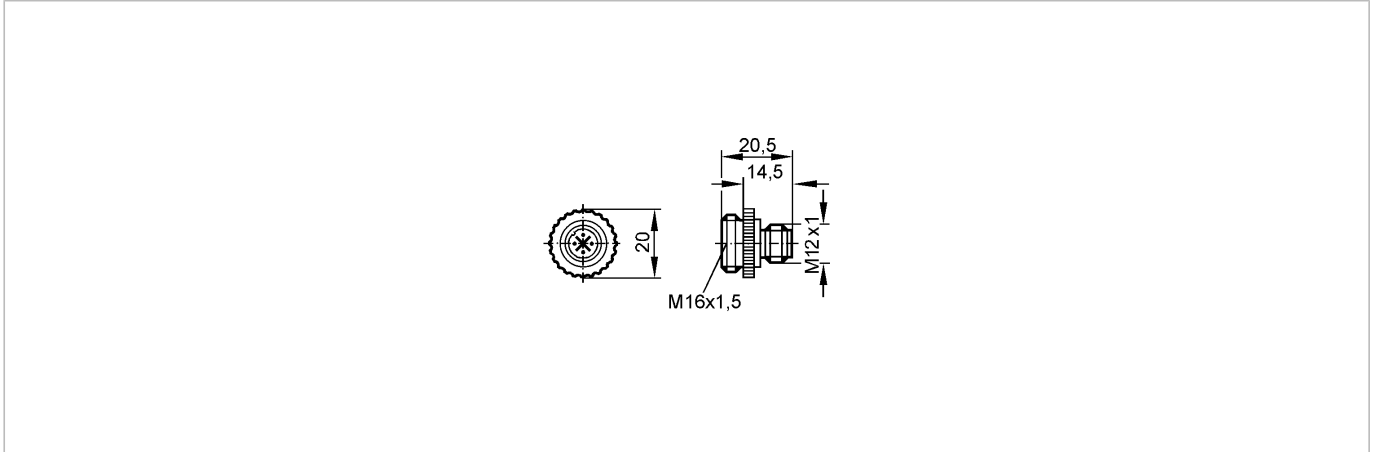
ecomat 400

E20685



ADAPTER PLUG US-100

Connection technology



Product characteristics

Bulkhead connector

M16 - M12

Electrical data

Electrical design

AC/DC

Operating voltage

[V]

250 AC / 300 DC

Environment

Ambient temperature

[°C]

-40...85

Protection

IP 67

Mechanical data

Housing materials

brass nickel-plated

Weight

[kg]

0.013

Electrical connection

Connection

PVC cable / 0.065 m; 4 x 0.34 mm²

Wiring

Core colors

BK black

BN brown

BU blue

WH white



1 BN

2 WH

3 BU

4 BK

Remarks

Pack quantity

[piece]

1

ifm efector, inc. • 1100 Atwater Drive • Malvern • PA 19355 — We reserve the right to make technical alterations without prior notice. — US — E20685 — 17.05.2006

no longer available - archive entry