

no longer available - archive entry Alternative article: E20481

When selecting an alternative article and accessories please note that technical data may differ!

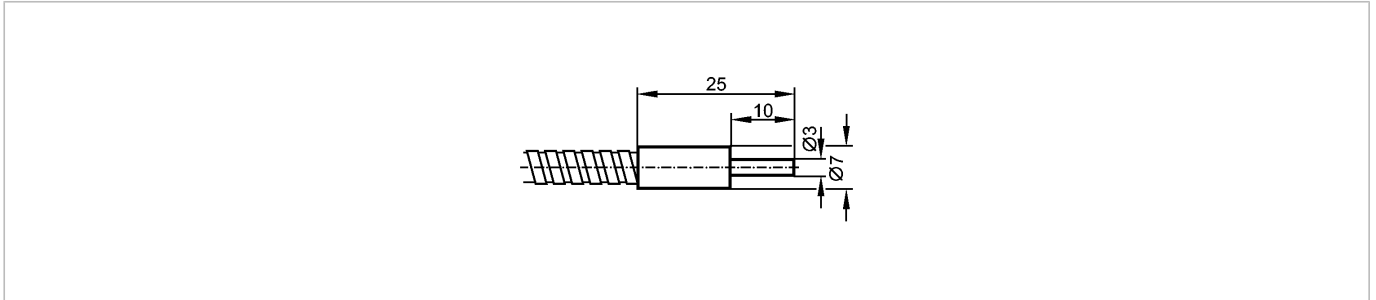
efector200

E20557



FT-00-A-A-E3/0.2M +/-10MM

Fiber optics



Product characteristics

Diffuse reflection sensor

Ø 3 mm

Range 40 mm

Connection to fibre optic amplifiers type OKF / OUF

Monitoring range

Range OKF: 40 mm / OUF: 40 mm

Environment

Ambient temperature [°C] -40...290

Mechanical data

Design straight

Length [mm] 200, -5 %

Min. bending radius [mm] 20, for fixed installation

Fiber optic glass

Sensing head aluminum

Sheathing aluminum; adapter: ABS

Weight [kg] 0.042

Accessories

Accessories (included) E20102

Remarks

Pack quantity [piece] 1

ifm efector, inc. • 1100 Atwater Drive • Malvern • PA 19355 — We reserve the right to make technical alterations without prior notice. — US — E20557 — 04.06.2003

no longer available - archive entry Alternative article: E20481

When selecting an alternative article and accessories please note that technical data may differ!