

no longer available - archive entryDiscontinued article

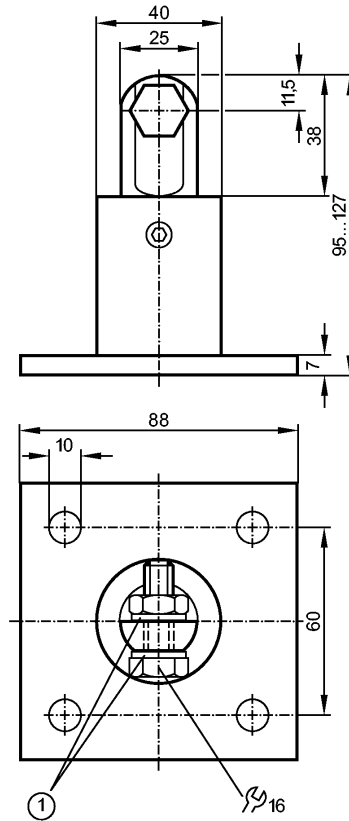
efector200

E20426



Infrarot Montagefuß/OW

Accessories



1: tooth lock washer

Product characteristics

Mounting base

Mechanical data

Design

for infrared sensor for types OW

Housing materials

brass white bronze coated

Weight [kg]

0.939

Remarks

Pack quantity [piece]

1

ifm efector, inc. • 1100 Atwater Drive • Malvern • PA 19355 — We reserve the right to make technical alterations without prior notice. — US — E20426 — 06.03.2003

no longer available - archive entryDiscontinued article