

no longer available - archive entryAlternative article: OPU203

When selecting an alternative article and accessories please note that technical data may differ!

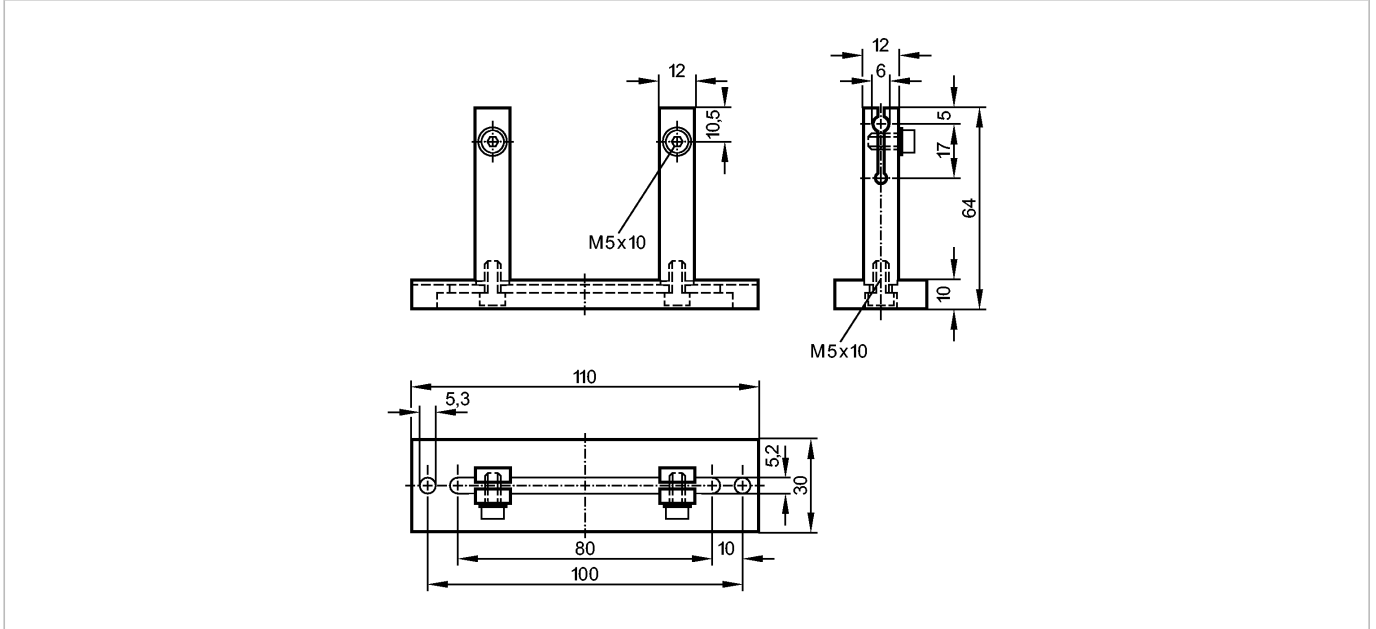
efector200

E20417



FORK SUPPORT 50 MM

Accessories



Product characteristics

fork support

64 mm

Mechanical data

Design

for fibre optics

Housing materials

aluminum black anodized

Weight [kg]

0.122

Remarks

Pack quantity [piece]

1

ifm efector, inc. • 1100 Atwater Drive • Malvern • PA 19355 — We reserve the right to make technical alterations without prior notice. — US — E20417 — 06.03.2003

no longer available - archive entryAlternative article: OPU203

When selecting an alternative article and accessories please note that technical data may differ!