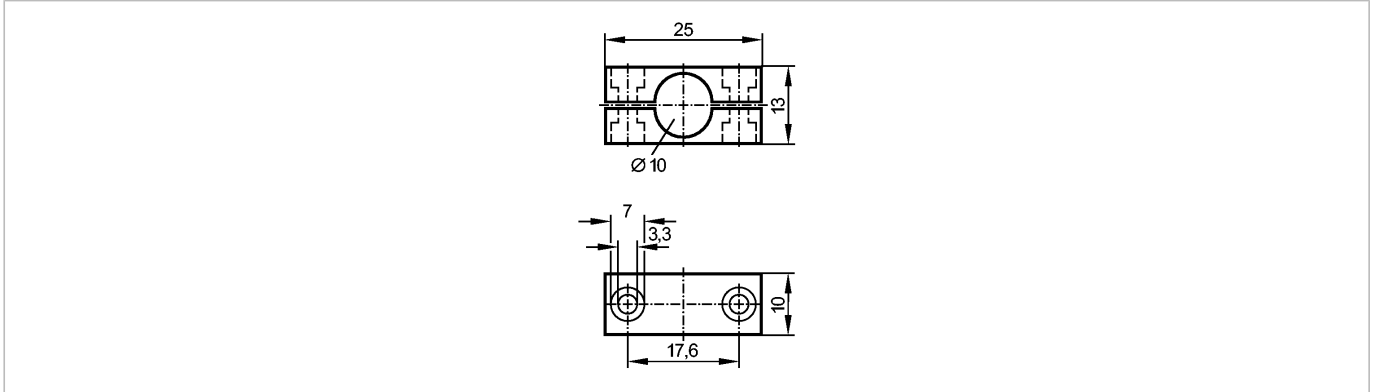




MOUNTING CLAMP 10 MM

Accessories



Product characteristics

Mounting clamp

Ø 10 mm

Mechanical data

Design

for fibre optics

Housing materials

PBT (Pocan)

Weight

[kg]

0.019

Accessories

Accessories (included)

2 cylinder head screw; M3

Remarks

Pack quantity

[piece]

1