

no longer available - archive entry Alternative article: E20594

When selecting an alternative article and accessories please note that technical data may differ!

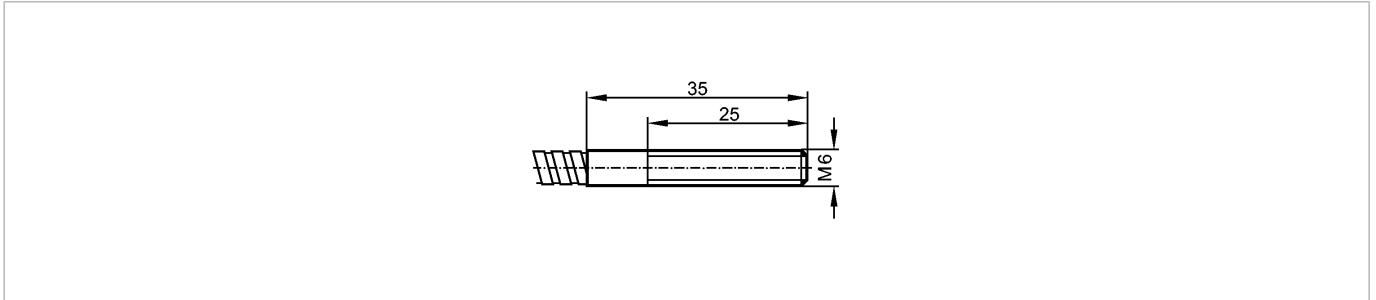
efector200

E20258



FT-00-A-A-M6/2.5M

Fiber optics



Product characteristics

Diffuse reflection sensor

M6

Range 28 mm

Connection to fibre optic amplifiers type OKF / OUF

Monitoring range

Range OKF: 28 mm / OUF: 28 mm

Environment

Ambient temperature [°C] -40...290

Mechanical data

Design straight

Length [mm] 2500

Min. bending radius [mm] 20, for fixed installation

Fiber arrangement



Fiber optic glass

Sensing head aluminum

Sheathing aluminum; adapter: ABS

Weight [kg] 0.103

Accessories

Accessories (included) 2 hexagon nuts; M6; stainless steel; 2 tooth lock washers; 1 knurled nut; M11

Remarks

Pack quantity [piece] 1

ifm efector, inc. • 1100 Atwater Drive • Malvern • PA 19355 — We reserve the right to make technical alterations without prior notice. — US — E20258 — 24.11.2006

no longer available - archive entry Alternative article: E20594

When selecting an alternative article and accessories please note that technical data may differ!