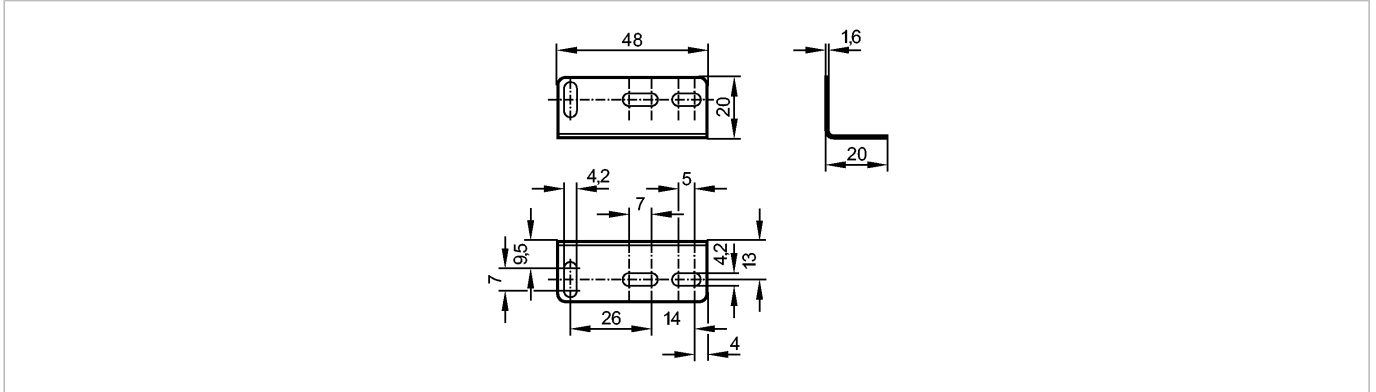




ANGLE BRACKET OU

Accessories



Product characteristics

Angle bracket

OU

Mechanical data

Design

with mounting material

Housing materials

galvanised steel

Weight

[kg]

0.031

Accessories

Accessories (included)

2 screws; M4 x 25; 2 hexagon nuts; 2 flat washers; 2 spring washers

Remarks

Pack quantity

[piece]

1