

Article discontinued as of 31.March 2017

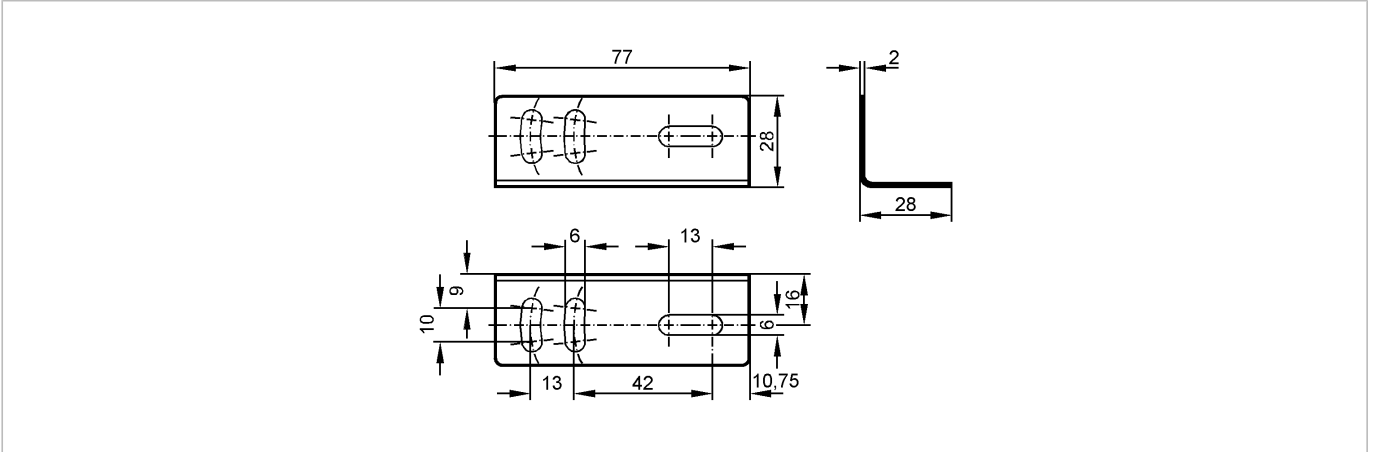
efector200

E20210



ANGLE BRACKET OS

Accessories



Product characteristics

Angle bracket

OS

Mechanical data

Design

with mounting material

Housing materials

galvanised steel

Weight

[kg]

0.069

Accessories

Accessories (included)

2 screws; M5 x 30; 2 hexagon nuts; 2 flat washers; 2 spring washers

Remarks

Pack quantity

[piece]

1

ifm efector, inc. • 1100 Atwater Drive • Malvern • PA 19355 — We reserve the right to make technical alterations without prior notice. — US — E20210 — 06.03.2003

Article discontinued as of 31.March 2017