

no longer available - archive entryAlternative article: E20051

When selecting an alternative article and accessories please note that technical data may differ!

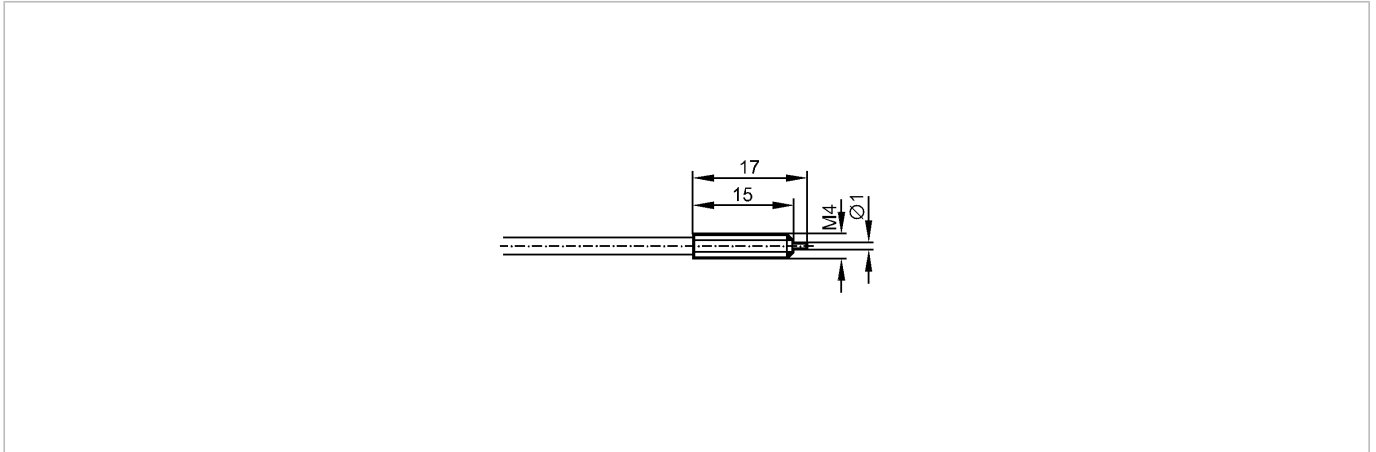
efector200

E20074



FT-00-P-A-M4

Fiber optics



Product characteristics

Diffuse reflection sensor

M4

Range 8 mm

Connection to fibre optic amplifiers type OKF / OUF

Monitoring range

Range

OKF: 8 mm / OUF: 8 mm

Environment

Ambient temperature [°C]

-20...80

Mechanical data

Design

straight

Length [mm]

600

Min. bending radius [mm]

20

Fiber optic

glass

Sensing head

AlCuMgPb (3.1645)

Sheathing

PVC; adapter: PPO

Weight [kg]

0.032

Accessories

Accessories (included)

2 hexagon nuts; M4; 2 tooth lock washers; 1 knurled nut; M11

Remarks

Pack quantity [piece]

1

ifm efector, inc. • 1100 Atwater Drive • Malvern • PA 19355 — We reserve the right to make technical alterations without prior notice. — US — E20074 — 06.03.2003

no longer available - archive entryAlternative article: E20051

When selecting an alternative article and accessories please note that technical data may differ!