

no longer available - archive entry

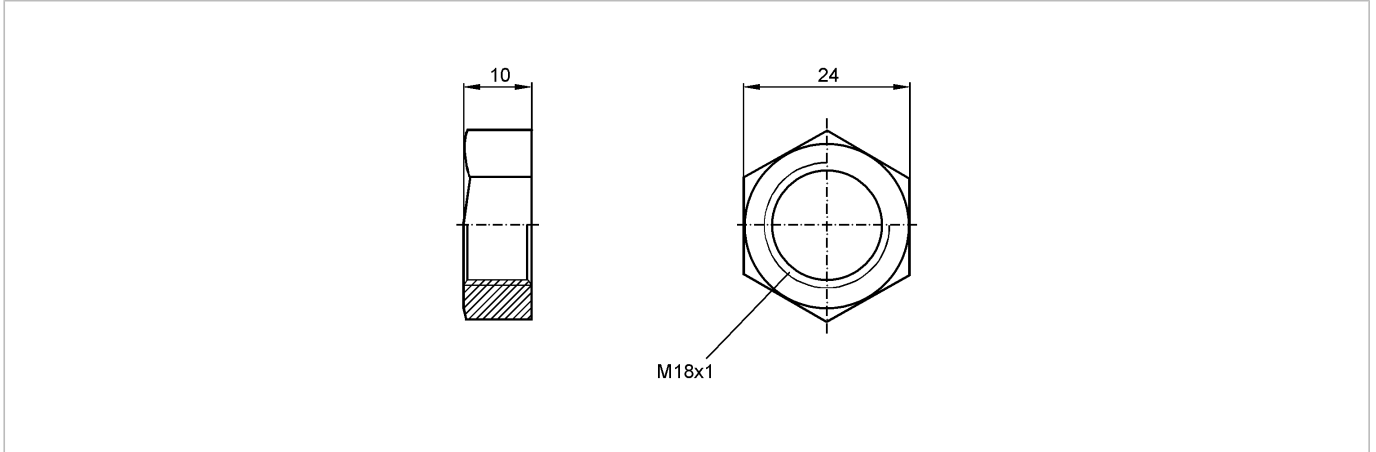
efector100

E19729



Mutter M18x1x10mm/Kunststoff

Accessories



Product characteristics

Wide plastic nut

M18 x 1

Mechanical data

Housing materials

plastics

Weight

[kg]

0.008

Remarks

Pack quantity

[piece]

2

ifm efector, inc. • 1100 Atwater Drive • Malvern • PA 19355 — We reserve the right to make technical alterations without prior notice. — US — E19729 — 06.03.2003

no longer available - archive entry