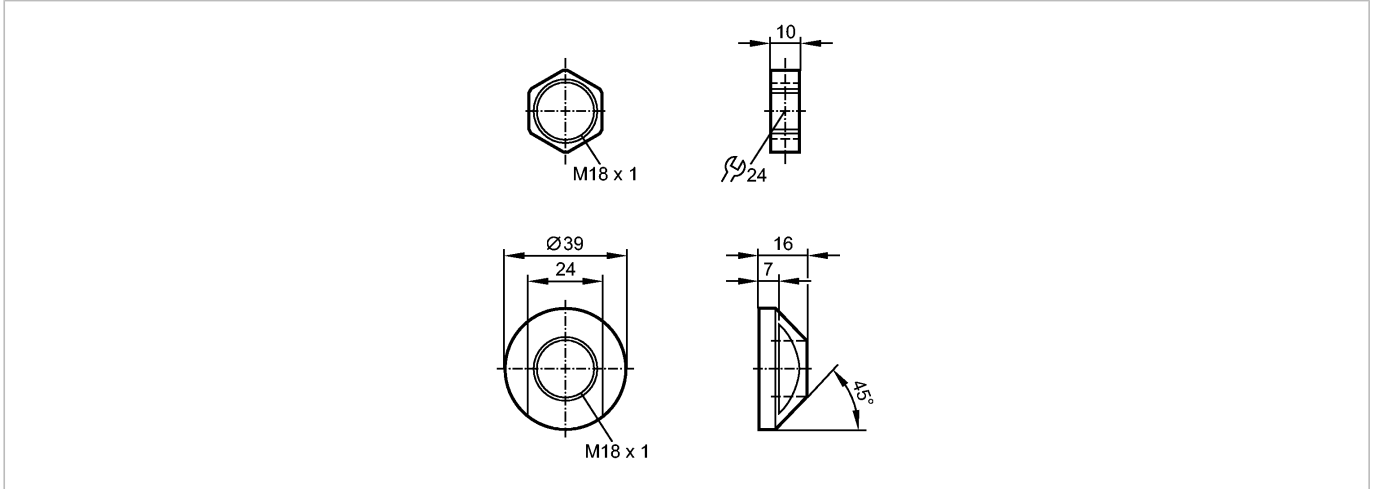




NUT M18X1 FOR FLOW PLATE

Accessories



Product characteristics

Plastic nut for flow plate

M18 x 1

Mechanical data

Housing materials

POM (polyoxymethylene)

Weight [kg]

0.018

Remarks

Pack quantity [piece]

1