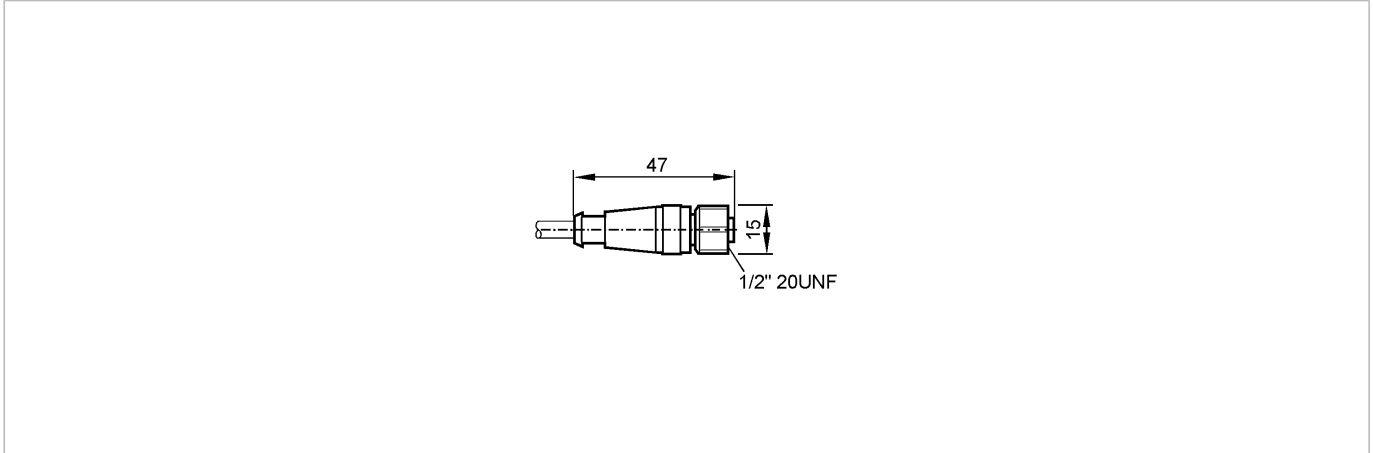




VDOAH040VAS0002STGH040G04

Connection technology



Product characteristics

Socket

For sensors with

1/2" connector

gold-plated contacts

Electrical data

Electrical design

AC/DC

Operating voltage [V]

300 AC/DC

Environment

Ambient temperature [°C]

-20...105

Protection

IP 68

Mechanical data

Design

straight

Material body

PVC

Material nut

stainless steel 316Ti / 1.4571

Electrical connection

Connection

PVC cable / 5 m; 5 x AWG 18 (5 x 0.75 mm²)

Sheath color

grey

Wiring

Core colors

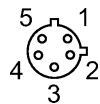
BK black

GN green

RD red

RD/BK red/black

WH white



1 BK

2 WH

3 GN

4 RD/BK

5 RD

Remarks

Pack quantity

[piece]

1