

no longer available - archive entry replaced by: E18233  
 In USA, priced and sold in pack of 1 piece

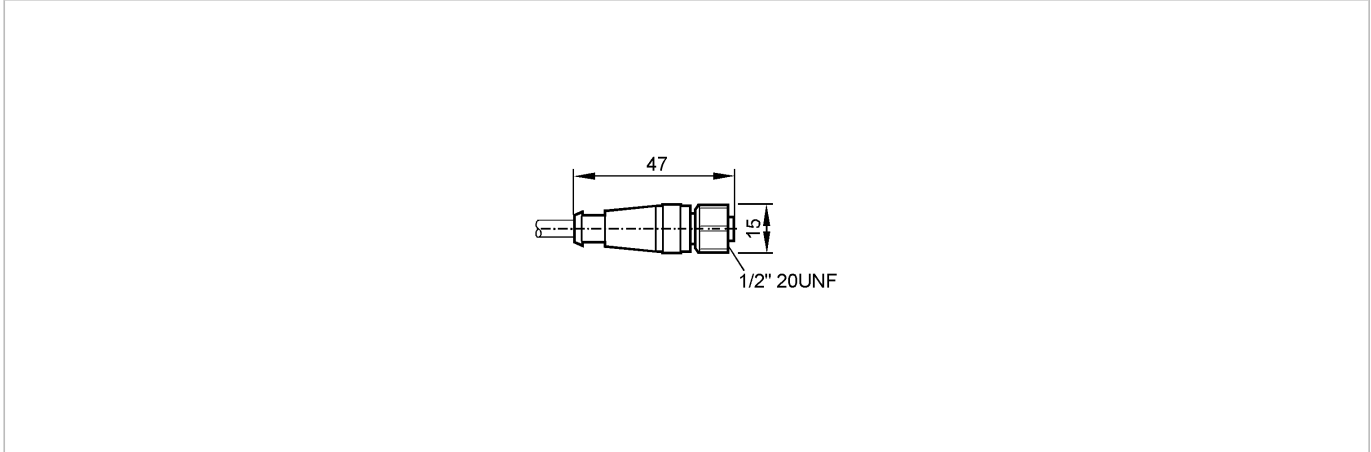
**ecomat 400**

E18233



ADOGA030VAS0010E03

Connection technology

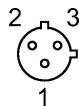


**Product characteristics**

Socket	
For sensors with	
1/2" connector	
gold-plated contacts	
Electrical data	
Electrical design	AC/DC
Operating voltage [V]	300 AC/DC
Environment	
Ambient temperature [°C]	-20...105
Protection	IP 68
Mechanical data	
Design	straight
Material body	PVC
Material nut	stainless steel 316Ti / 1.4571
Weight [kg]	0.922
Electrical connection	
Connection	PVC cable / 10 m; 3 x AWG 18 (3 x 0.75 mm <sup>2</sup> )
Sheath color	grey

**Wiring**

Core colors  
 BK black  
 GN green  
 RD red



1 \_\_\_\_\_ GN  
 2 \_\_\_\_\_ RD  
 3 \_\_\_\_\_ BK

**Remarks**

Pack quantity	[piece]	1
---------------	---------	---

ifm efector, inc. • 1100 Atwater Drive • Malvern • PA 19355 — We reserve the right to make technical alterations without prior notice. — US — E18233 — 13.01.2017

no longer available - archive entry replaced by: E18233  
 In USA, priced and sold in pack of 1 piece