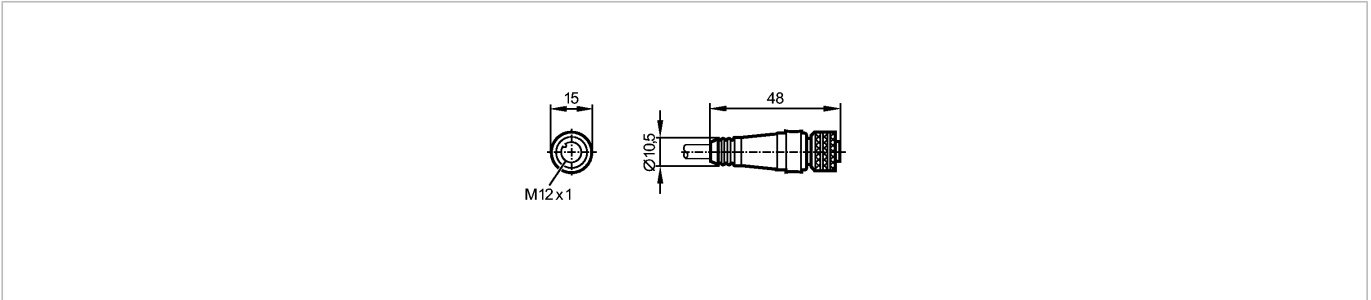


no longer available - archive entryreplaced by: EVC528  
 Discontinued article

**ecomat 400**  
 E18196



Connection technology



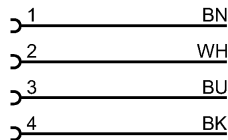
Product characteristics

Socket	
For sensors with	
M12 connector	
Electrical data	
Electrical design	AC/DC
Operating voltage [V]	250 AC / 300 DC
Environment	
Ambient temperature [°C]	-25...70
Protection	IP 67
Mechanical data	
Design	straight
Material body	TPU (urethane)
Material nut	brass; nickel-plated
Tightening torque for knurled nut [Nm]	0.5
Electrical connection	
Connection	PVC cable / 10 m; 4 x 0.25 mm <sup>2</sup> (32 x Ø 0.1 mm); Ø 5 mm; screened, screen not connected to the socket
Sheath color	yellow

**Wiring**

Core colors

- BN brown
- BK black
- BU blue
- WH white



Remarks

Pack quantity	[piece]	1
---------------	---------	---

ifm efector, inc. • 1100 Atwater Drive • Malvern • PA 19355 — We reserve the right to make technical alterations without prior notice. — US — E18196 — 20.03.2012

no longer available - archive entryreplaced by: EVC528

Discontinued article