

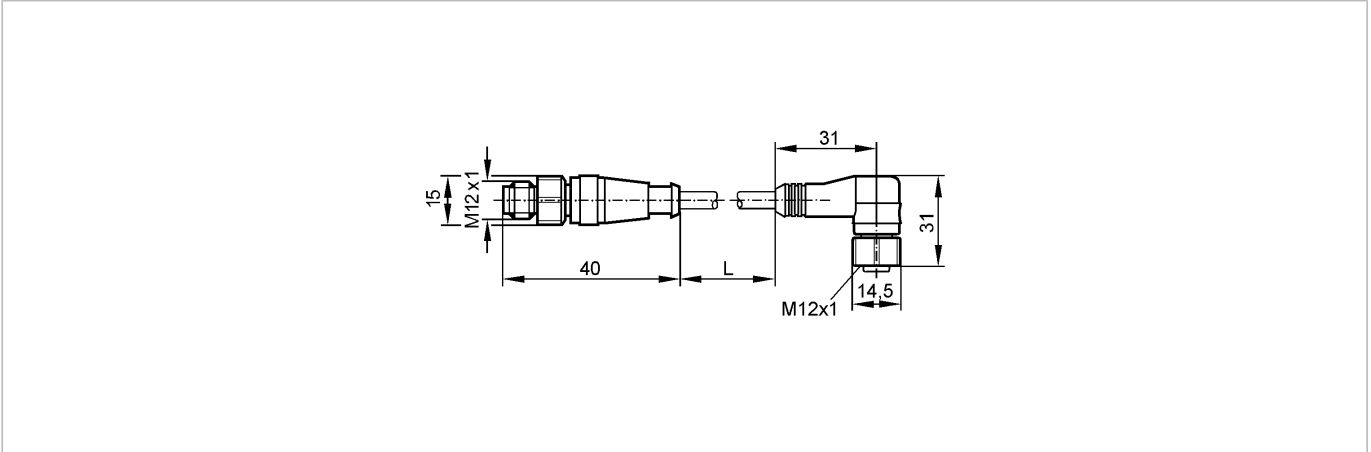
no longer available - archive entry

**ecomat 400**

E18183



Connection technology



Product characteristics

Patchcords

M12 plug / M12 socket

gold-plated contacts

Electrical data

Electrical design

AC/DC

Operating voltage [V]

300 AC/DC

Environment

Ambient temperature [°C]

-20...105

Protection

IP 68

Mechanical data

Design

straight / angled

Material body

TPE

Material nut

stainless steel 316Ti / 1.4571

Electrical connection

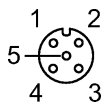
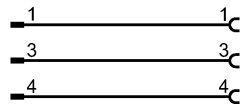
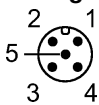
Connection

PVC cable / 6 m; 3 x AWG 22 (3 x 0.34 mm<sup>2</sup>)

Sheath color

grey

Wiring



Remarks

Pack quantity

[piece]

1

ifm efector, inc. • 1100 Atwater Drive • Malvern • PA 19355 — We reserve the right to make technical alterations without prior notice. — US — E18183 — 08.04.2016

no longer available - archive entry