

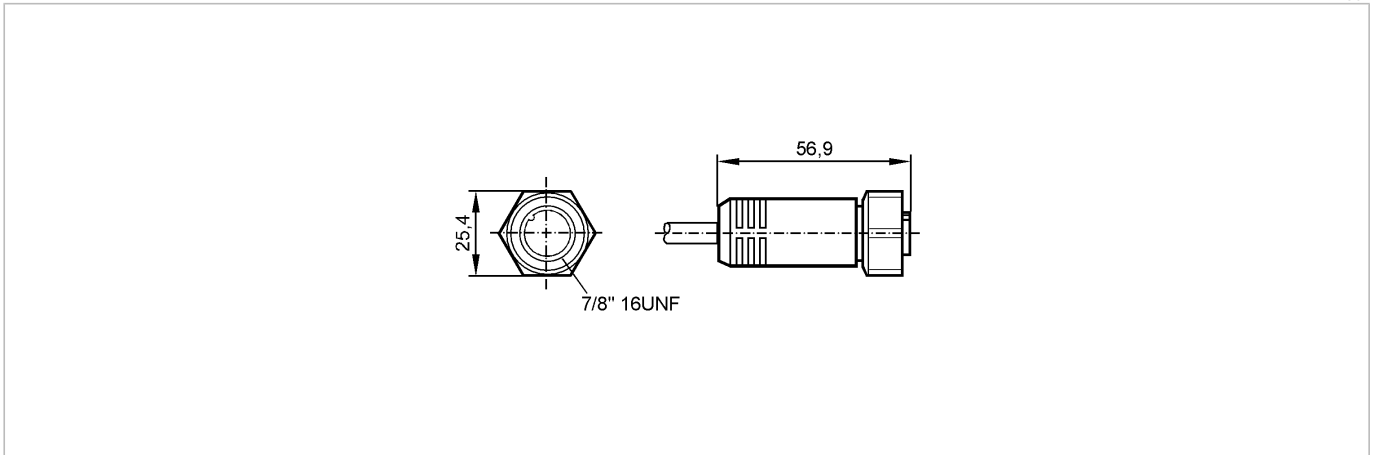
no longer available - archive entry

ecomat 400

E18166



Connection technology



Product characteristics

Socket

For sensors with

7/8" connector

gold-plated contacts

Electrical data

Electrical design

AC/DC

Operating voltage [V]

300 AC/DC

Environment

Ambient temperature [°C]

-20...105

Protection

IP 68

Mechanical data

Design

straight

Material body

PVC

Material nut

stainless steel (316L)

Electrical connection

Connection

PVC cable / 20 m; 3 x AWG 18 (3 x 0.75 mm²)

Sheath color

grey

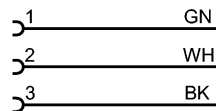
Wiring

Core colors

BK black

GN green

WH white



Remarks

Pack quantity

[piece]

1

ifm efector, inc. • 1100 Atwater Drive • Malvern • PA 19355 — We reserve the right to make technical alterations without prior notice. — US — E18166 — 08.04.2016

no longer available - archive entry