

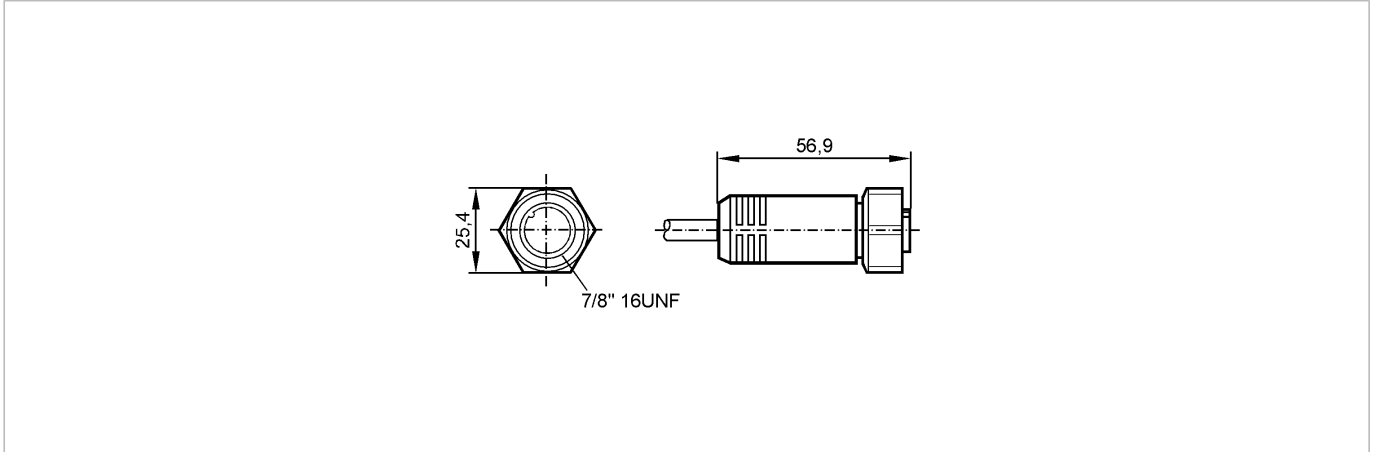
no longer available - archive entry

ecomat 400

E18064



Connection technology



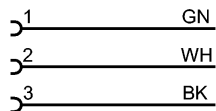
Product characteristics

Socket	
For sensors with	
7/8" connector	
gold-plated contacts	
Electrical data	
Electrical design	AC/DC
Operating voltage [V]	300 AC/DC
Environment	
Ambient temperature [°C]	-20...105
Protection	IP 68
Mechanical data	
Design	straight
Material body	PVC
Material nut	stainless steel (316L)
Electrical connection	
Connection	PVC cable / 6 m; 3 x AWG 18 (3 x 0.75 mm ²)
Sheath color	grey

Wiring

Core colors

- BK black
- GN green
- WH white



Remarks

Pack quantity	[piece]	1
---------------	---------	---

ifm efector, inc. • 1100 Atwater Drive • Malvern • PA 19355 — We reserve the right to make technical alterations without prior notice. — US — E18064 — 09.01.2017

no longer available - archive entry