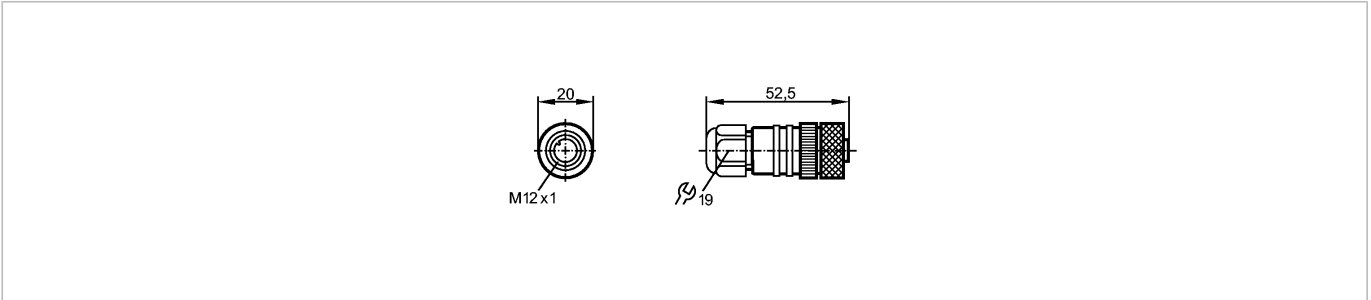


no longer available - archive entryreplaced by: E18030
 Discontinued article

ecomat 400
 E18030



Connection technology

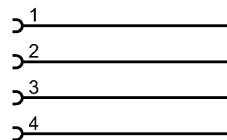


Product characteristics

Wireable socket	
For sensors with	
M12 connector	
Free from silicone	
Free from halogen	
wireable	
gold-plated contacts	

Electrical data	
Electrical design	AC/DC
Operating voltage [V]	250 AC/DC
Current rating [A]	4; (...40 °C)
Environment	
Ambient temperature [°C]	-20...90
Protection	IP 68
Mechanical data	
Design	straight
Material body	PA
Material nut	brass; nickel-plated
Electrical connection	
Connection	wireable; ...0.75 mm ² (Ø 8...10 mm)

Wiring



Remarks

Pack quantity	[piece]	1
---------------	---------	---

ifm efector, inc. • 1100 Atwater Drive • Malvern • PA 19355 — We reserve the right to make technical alterations without prior notice. — US — E18030 — 25.01.2006

no longer available - archive entryreplaced by: E18030
 Discontinued article