

Article discontinued as of 31.March 2016

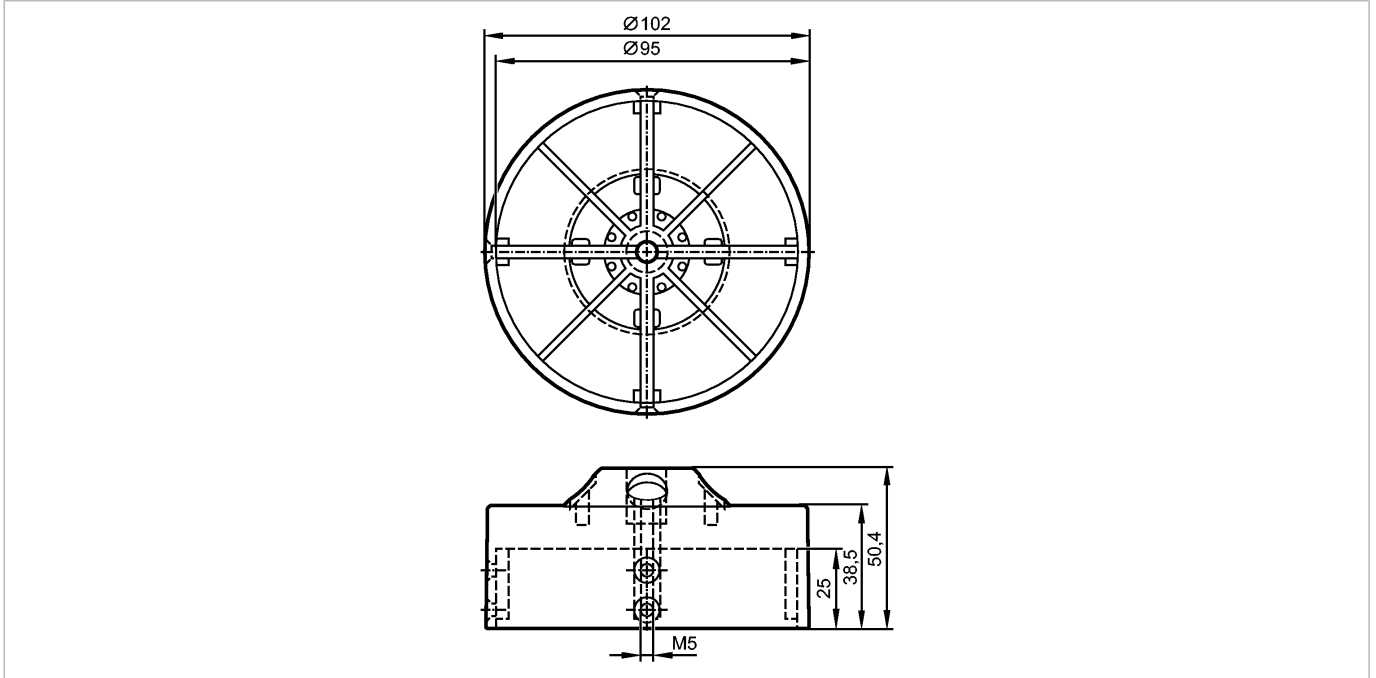
efector180

E17110



PUCK IND E D102/ISO W. DRAIN

Accessories



Product characteristics

Target puck

Ø 102 mm

6 possible switching flag positions

with drain holes

Mechanical data

Design

for mechanical interfaces to ISO 5211 (DIN 3337) on pneumatic actuators or manually-operated valves

Housing materials

Target puck: PVC; screws: high-grade stainless steel

Weight [kg]

0.113

Remarks

Pack quantity [piece]

1

Other data

Shaft height [mm]

30

Hole spacing 80 mm

130

ifm efector, inc. • 1100 Atwater Drive • Malvern • PA 19355 — We reserve the right to make technical alterations without prior notice. — US — E17110 — 01.02.2016

Article discontinued as of 31.March 2016