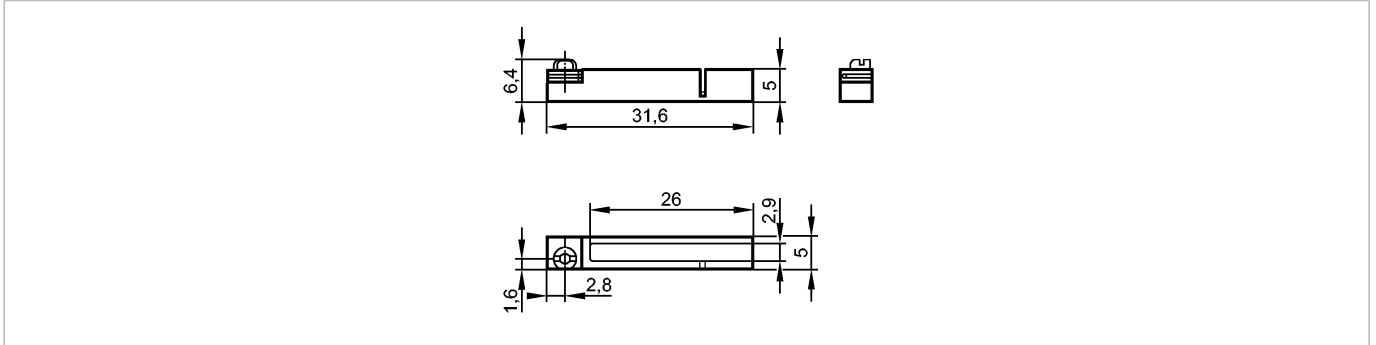




ADAPT C-SLOT IN T-SLOT FLUSH

Accessories



Product characteristics

T-slot adapter for C-slot sensor

for types MKC

(height 5 mm)

Mechanical data

Design

for types MKC (C-slot cylinder sensor) for installation in T-slot cylinders

Housing materials

diecast zinc; fixing element: stainless steel

Weight

[kg]

0.007

Remarks

Pack quantity

[piece]

1