

no longer available - archive entry

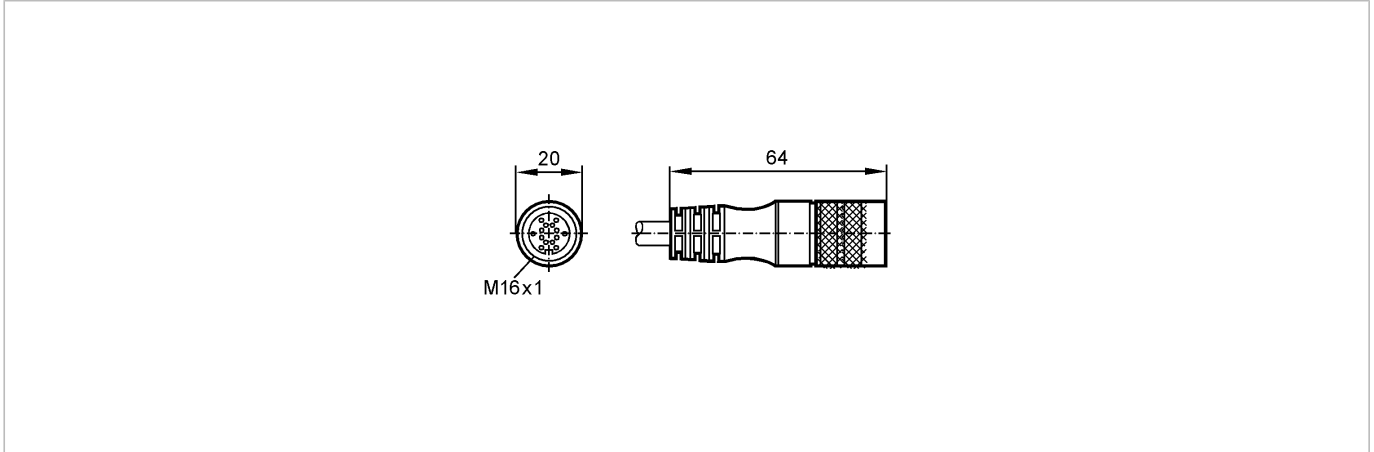
ecomat 400

E11808



ADOGO014MSS0005B14

Connection technology



Product characteristics

Socket

M16 connector

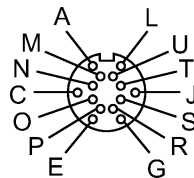
Electrical data

Electrical design		DC
Operating voltage	[V]	30 DC
Current rating	[A]	3
Environment		
Ambient temperature	[°C]	-25...90
Protection		IP 67
Mechanical data		
Design		straight
Material body		PUR
Material nut		brass; nickel-plated
Weight	[kg]	0.436
Electrical connection		
Connection		PUR cable / 5 m; 10 x 0.25 mm ² (14 x Ø 0.15 mm) + 2 x 0.34 mm ² (7 x Ø 0.2 mm); Ø 7.5 mm
Sheath color		black

Wiring

Core colors

- BK black
- BN brown
- BU blue
- GN green
- GY grey
- PK pink
- RD red
- VT lilac
- WH white
- YE yellow



- ⌋ A ————— BN
- ⌋ C ————— GY/PK
- ⌋ E ————— BK
- ⌋ G ————— PK
- ⌋ J ————— GN
- ⌋ L ————— BU
- ⌋ N ————— RD/BU
- ⌋ O ————— VT
- ⌋ P ————— WH
- ⌋ S ————— GY
- ⌋ T ————— YE

U: not used

M: not used

Remarks

Pack quantity	[piece]	1
---------------	---------	---

no longer available - archive entry