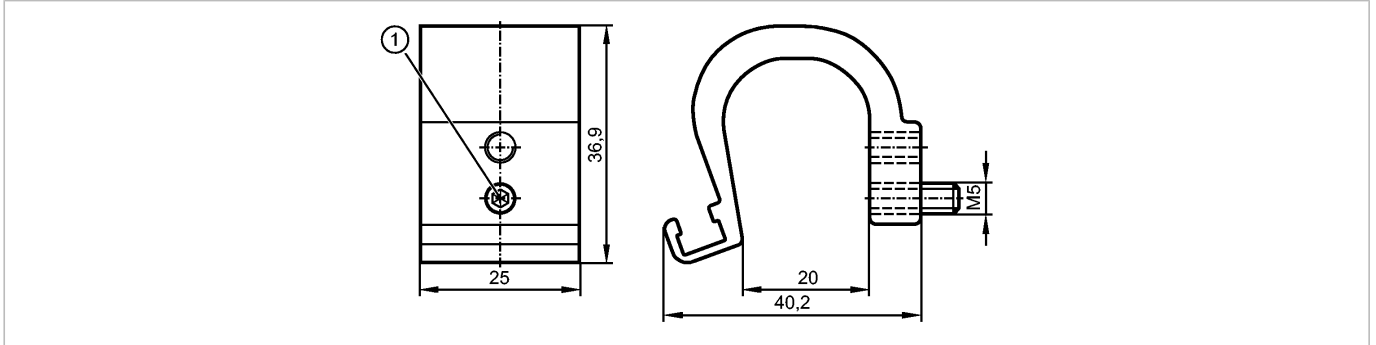




ADAPT TIE ROD/PROFILE CYL

Accessories



Product characteristics

Adapter for Tie Rod / Integrated Profile Cylinders

Mechanical data

Design		for types MKT (T-slot cylinder sensors)
Housing materials		aluminum; screw: stainless steel
Rod Diameter	[mm]	14...20
Weight	[kg]	0.027
Remarks		
Pack quantity	[piece]	1