

no longer available - archive entry replaced by: EBC014

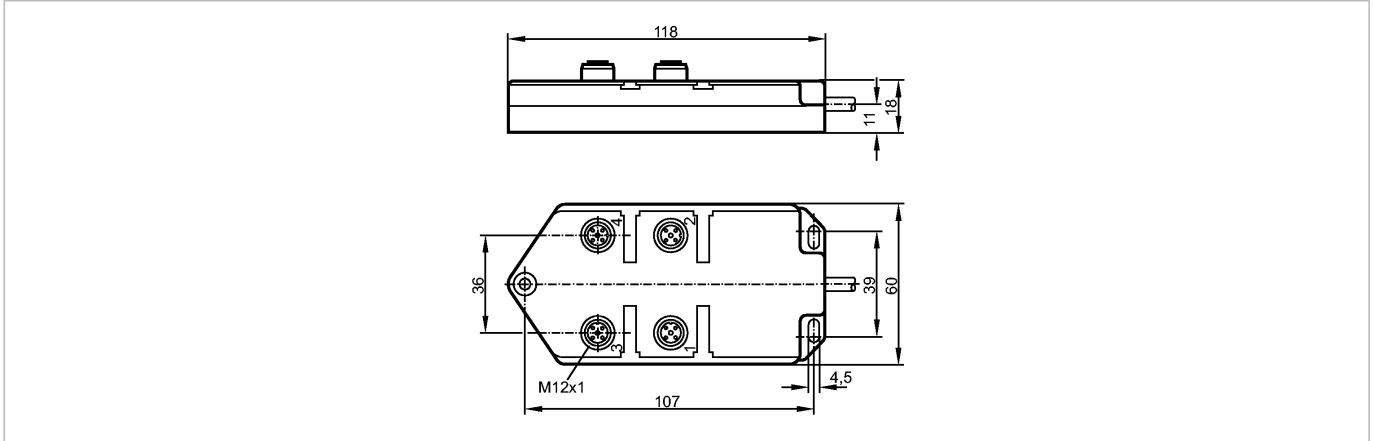
**ecomat 400**

E11726



ZDO4H050MSS0005H11

Connection technology



Product characteristics

Wiring block

Cable

Free from halogen

Free from silicone

gold-plated contacts

Electrical data

Electrical design

Operating voltage [V]

Max. total current load [A]

Max. current load per location [A]

Protection class

Environment

Ambient temperature [°C]

Protection

Mechanical data

Design

Housing materials

Tightening torque for knurled nut [Nm]

Weight [kg]

Electrical connection

Connection

Sheath color

**Wiring**

Core colors

BN brown

BU blue

GN green

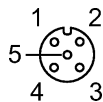
GY grey

PK pink

RD red

WH white

YE yellow



BN	1 (1...4)
BU	3 (1...4)
GN/YE	5 (1...4)
GY/PK	2 (1)
RD/BU	2 (2)
WH/GN	2 (3)
BN/GN	2 (4)
WH	4 (1)
GN	4 (2)
YE	4 (3)
GY	4 (4)

Remarks

Pack quantity

[piece]

1

# E11726 - Wiring block - eclass: 27279201 / 27-27-92-01

Other data

Ports

M12

ifm efector, inc. • 1100 Atwater Drive • Malvern • PA 19355 — We reserve the right to make technical alterations without prior notice. — US — E11726 — 20.07.2004  
no longer available - archive entryreplaced by: EBC014