

no longer available - archive entryreplaced by: EVC503

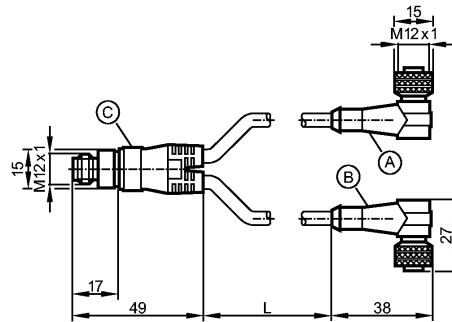
**ecomat 400**

E11664



YDOAH040MSS0.25H04STGH040MSS

Connection technology



3-1: Input cable grey  
3-2: Octavis cable black

Product characteristics

Y connection cable

M12-plug / 2 x M12-socket

Free from halogen

Electrical data

Electrical design

DC

Operating voltage [V]

10...30 DC

Current rating [A]

4

Environment

Ambient temperature [°C]

-25...90

Protection

IP 68

Mechanical data

Design

2 way

Material body

TPU (urethane)

Material nut

brass; nickel-plated

Weight [kg]

0.065

Electrical connection

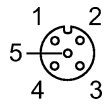
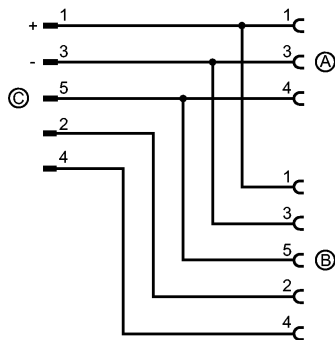
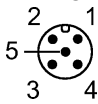
Connection

PUR cable / 0.25 m;  
5 x 0.25 mm<sup>2</sup> (32 x Ø 0.1 mm); Ø 5 mm; halogen-free

Sheath color

black

Wiring



Remarks

Pack quantity

[piece]

1

ifm efector, inc. • 1100 Atwater Drive • Malvern • PA 19355 — We reserve the right to make technical alterations without prior notice. — US — E11664 — 03.12.2003

no longer available - archive entryreplaced by: EVC503