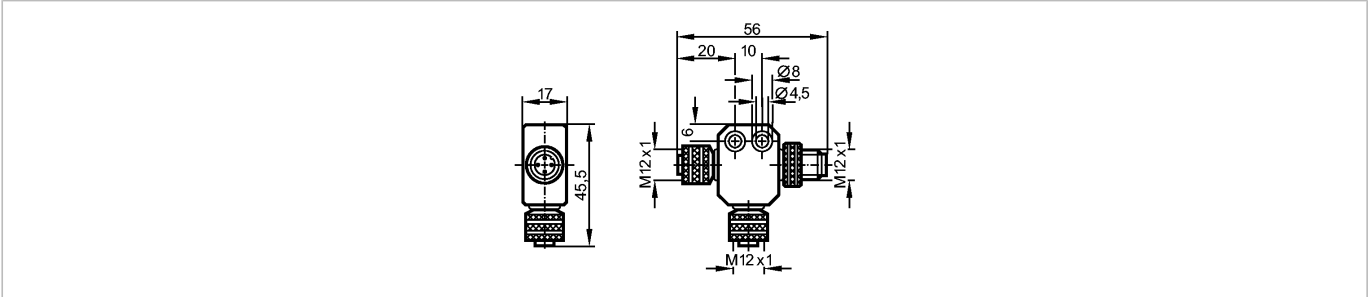




T SPLITTER M12/2XUS

Connection technology



Product characteristics

T splitter

Orientation:

connectors A / B horizontal  
(for a vertical sensor)

Electrical data

Electrical design

for pressure sensors PNI

Operating voltage [V]

30 AC / 36 DC

Max. total current load [A]

3

Max. current load per location [A]

3

Environment

Ambient temperature [°C]

-25...90

Protection

IP 68

Mechanical data

Design

M12 x 1

Material body

PUR

Material nut

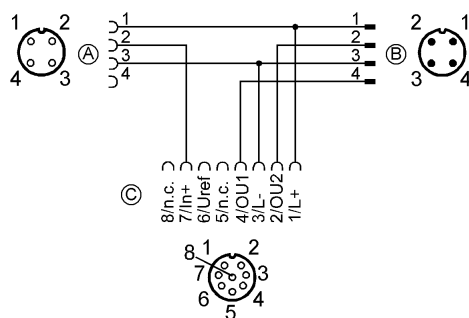
brass; nickel-plated

Weight [kg]

0.038

Electrical connection

Wiring



Remarks

Pack quantity [piece]

1