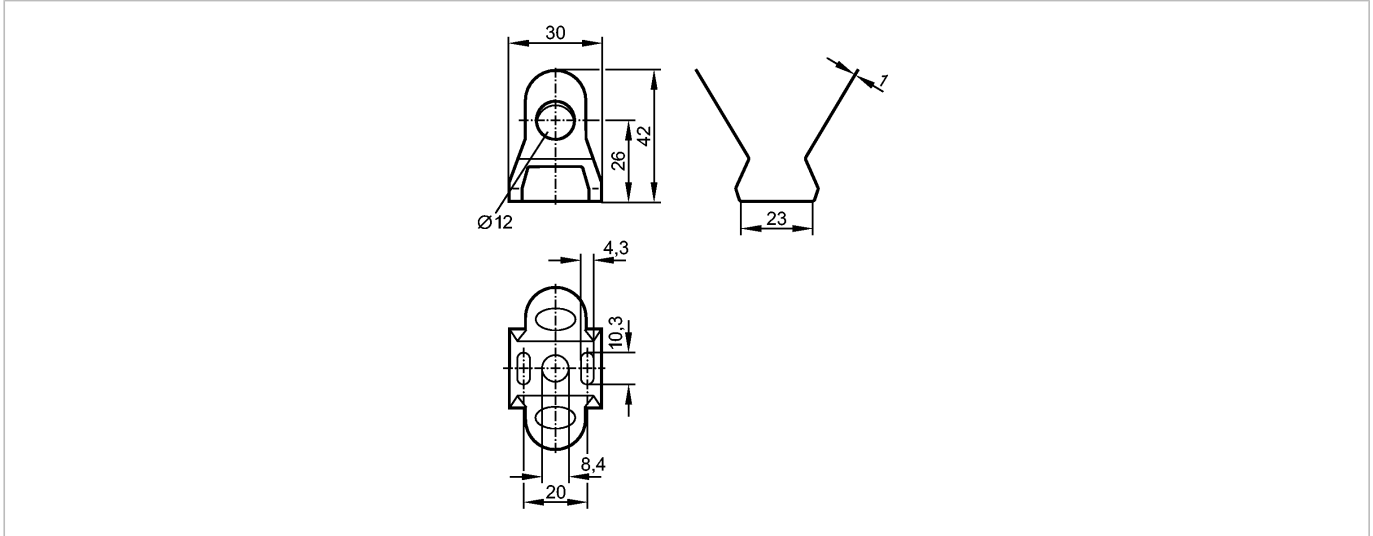


MOUNTING CLIP V4A D12 MM

Accessories



Product characteristics

Mounting clip

Ø 12 mm

Form V

Mechanical data

Design

for smooth body switches - Ø 12 mm

Housing materials

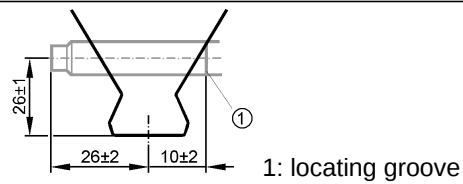
stainless steel (316L)

Weight

[kg]

0.014

Installation



Remarks

Pack quantity

[piece]

1