

no longer available - archive entry

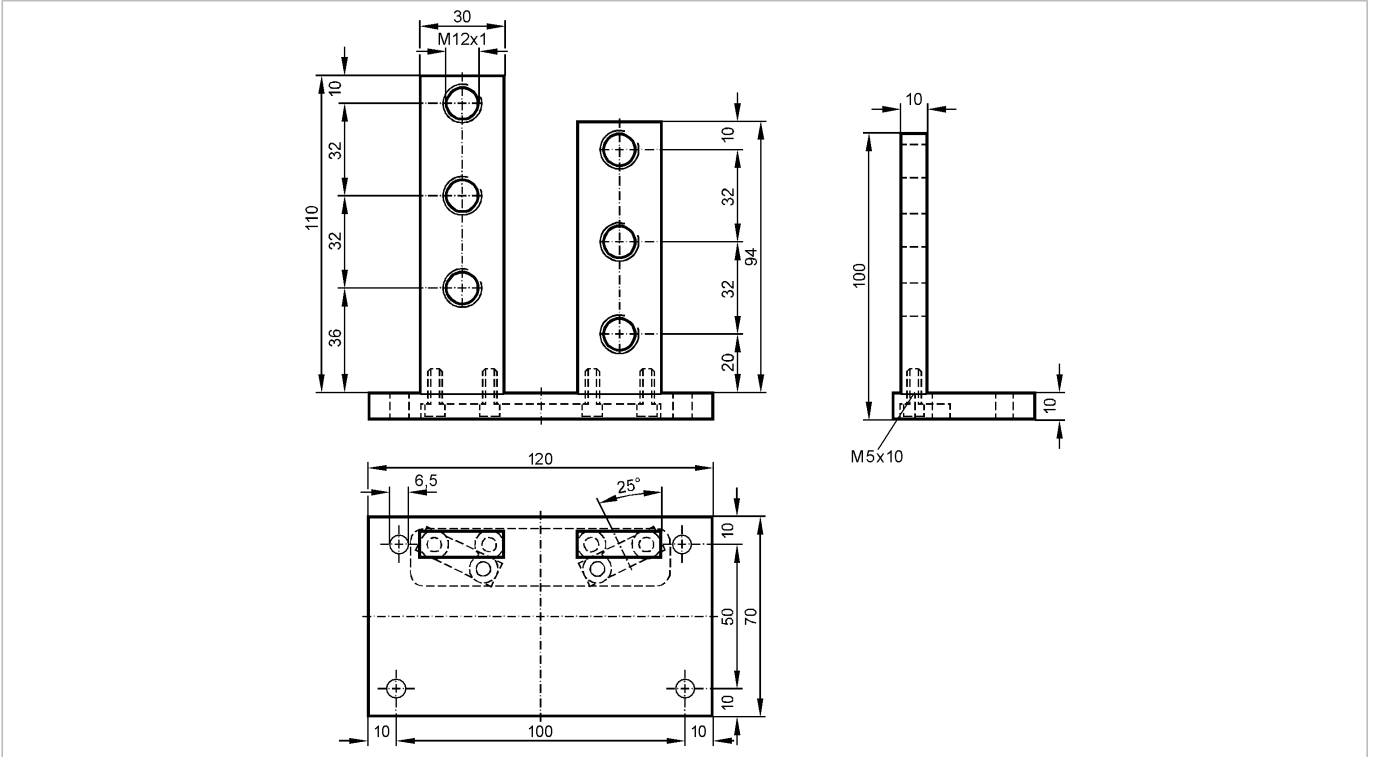
efector100

E11522



IF-PROGRAMMER 16R

Accessories



Product characteristics

Mounting bracket

Vertical sensor distance 16 mm

Mechanical data

Design

for mechanical cam switching devices

Housing materials

AlCuMgPb (3.1645) black anodized

Weight [kg]

0.338

Remarks

Pack quantity [piece]

1

ifm efector, inc. • 1100 Atwater Drive • Malvern • PA 19355 — We reserve the right to make technical alterations without prior notice. — US — E11522 — 06.03.2003

no longer available - archive entry