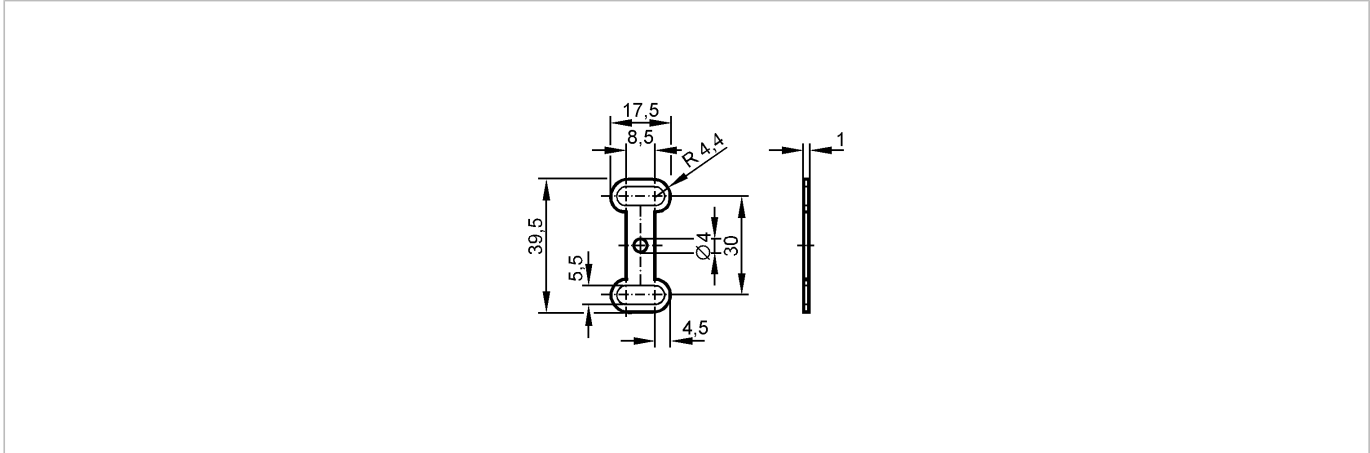


MOUNTING PLATE IND

Accessories



Product characteristics	
reinforcement bracket	
Environment	
Ambient temperature [°C]	-20...60
Mechanical data	
Design	for types IND
Housing materials	stainless steel 316Ti / 1.4571
Weight [kg]	0.017
Accessories	
Accessories (included)	2 socket-head screws; M5 x 35; 2 washers
Remarks	
Pack quantity [piece]	1