

no longer available - archive entry

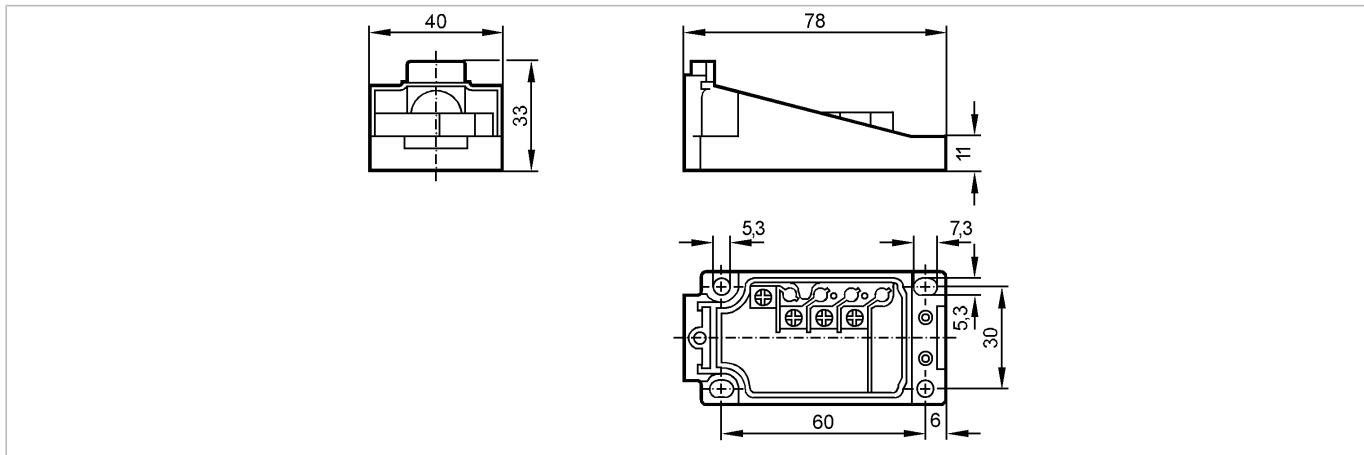
efector100

E11291



Accessories

MOUNTING BASE IVE



Product characteristics

Mounting base

IVE

Mechanical data

Housing materials

PBT

Weight

[kg]

0.053

Connection

terminals up to 2.5 mm²

Cable gland

M20

Remarks

Pack quantity

[piece]

1

ifm efector, inc. • 1100 Atwater Drive • Malvern • PA 19355 — We reserve the right to make technical alterations without prior notice. — US — E11291 — 06.03.2003

no longer available - archive entry