

no longer available - archive entry

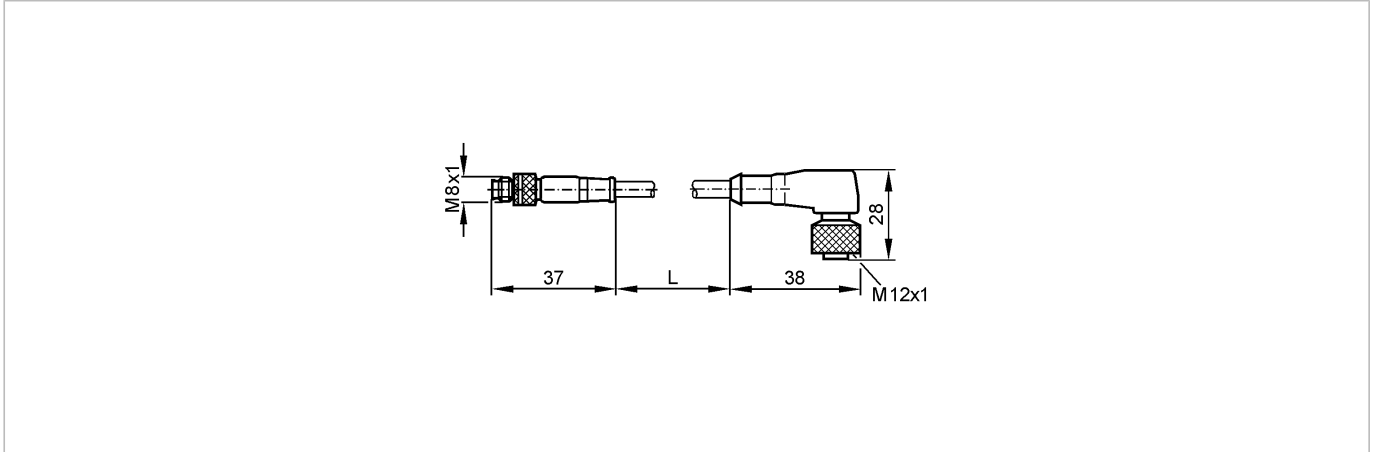
**ecomat 400**

E11266



VDOAH040MSS0002H03STGF030MSS

Connection technology



Product characteristics

Patchcords

M8-plug / M12-socket

Free from silicone

Free from halogen

gold-plated contacts

Electrical data

Electrical design

Operating voltage [V]

	AC/DC
Operating voltage [V]	60 AC / 75 DC
Current rating [A]	3
Protection class	III

Current rating [A]

Protection class

Environment

Ambient temperature [°C]

Ambient temperature [°C]	-25...85
Protection	IP 68

Protection

Mechanical data

Design

Design	straight / angled
Material body	PUR
Material nut	brass; nickel-plated
Tightening torque for knurled nut [Nm]	plug: 0.6...0.7 / socket: 0.7...0.9
Weight [kg]	0.07

Material body

Material nut

Tightening torque for knurled nut [Nm]

Weight [kg]

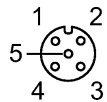
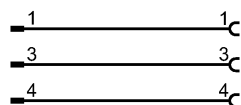
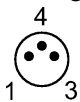
Electrical connection

Connection

Connection	PUR cable / 2 m; 3 x 0.34 mm <sup>2</sup> (42 x Ø 0.1 mm); Ø 5 mm; halogen-free
Sheath color	black

Sheath color

Wiring



Remarks

Pack quantity

[piece]

1

ifm efector, inc. • 1100 Atwater Drive • Malvern • PA 19355 — We reserve the right to make technical alterations without prior notice. — US — E11266 — 01.09.2008

no longer available - archive entry