

no longer available - archive entry Alternative article: EVC257

When selecting an alternative article and accessories please note that technical data may differ!

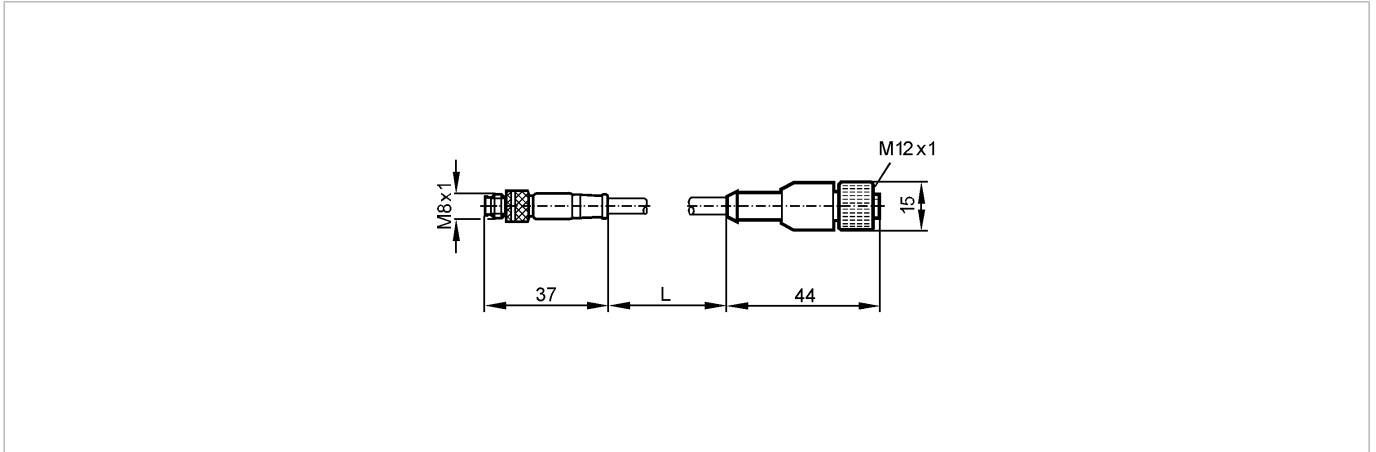
ecomat 400

E11263



VDOGH040MSS0001H03STGF030MSS

Connection technology



Product characteristics

Patchcords

M8-plug / M12-socket

Free from silicone

Free from halogen

gold-plated contacts

Electrical data

Electrical design

AC/DC

Operating voltage [V]

60 AC / 75 DC

Current rating [A]

3

Protection class

III

Environment

Ambient temperature [°C]

-25...85

Protection

IP 68

Mechanical data

Design

straight / straight

Material body

PUR

Material nut

brass; nickel-plated

Tightening torque for knurled nut [Nm]

plug: 0.6...0.7 / socket: 0.7...0.9

Weight [kg]

0.047

Electrical connection

Connection

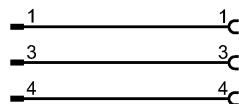
PUR cable / 1 m;

3 x 0.34 mm² (42 x Ø 0.1 mm); Ø 5 mm; halogen-free

Sheath color

black

Wiring



Remarks

Pack quantity

[piece]

1

E11263 - Patchcords - eclass: 27279201 / 27-27-92-01

no longer available - archive entryAlternative article: EVC257

When selecting an alternative article and accessories please note that technical data may differ!