

no longer available - archive entry replaced by: EVC298

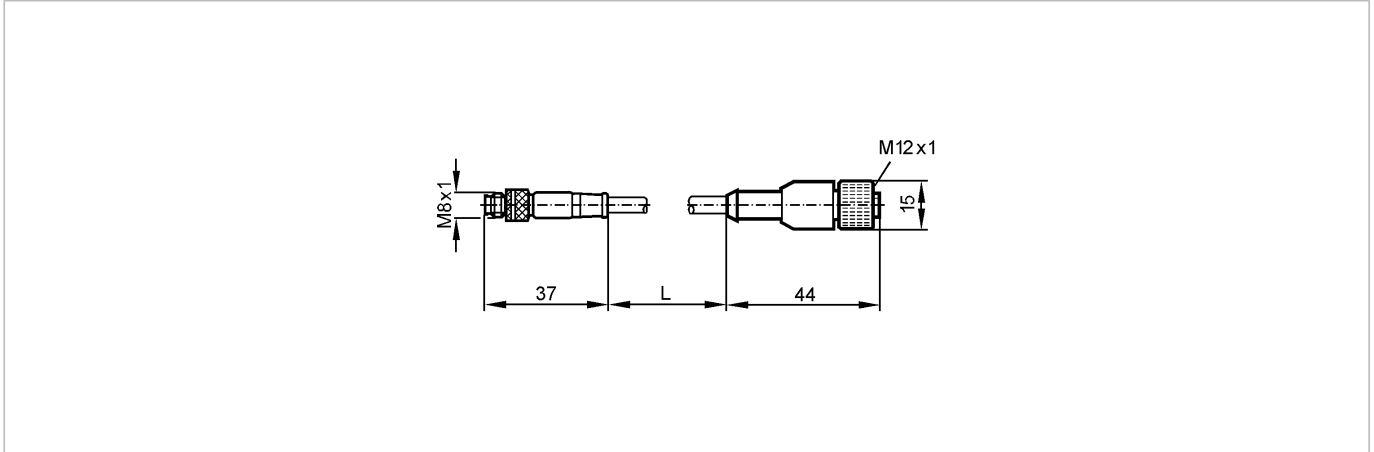
**ecomat 400**

E11260



VDOGH040MSS0002H04STGF040MSS

Connection technology



Product characteristics

Patchcords

M8-plug / M12-socket

Free from silicone

Free from halogen

gold-plated contacts

Electrical data

Electrical design

Operating voltage [V]

	AC/DC
	60 AC / 75 DC

Current rating [A]

	3
--	---

Protection class

	III
--	-----

Environment

Ambient temperature [°C]

	-25...85
--	----------

Protection

	IP 68
--	-------

Mechanical data

Design

	straight / straight
--	---------------------

Material body

	PUR
--	-----

Material nut

	brass; nickel-plated
--	----------------------

Tightening torque for knurled nut [Nm]

	plug: 0.6...0.7 / socket: 0.7...0.9
--	-------------------------------------

Weight [kg]

	0.079
--	-------

Electrical connection

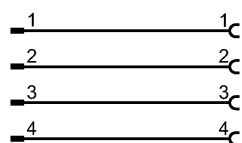
Connection

	PUR cable / 2 m;
--	------------------

Sheath color

	4 x 0.25 mm <sup>2</sup> (32 x Ø 0.1 mm); Ø 5 mm; halogen-free
	black

Wiring



Remarks

Pack quantity

[piece]

1