

no longer available - archive entry replaced by: EVC297

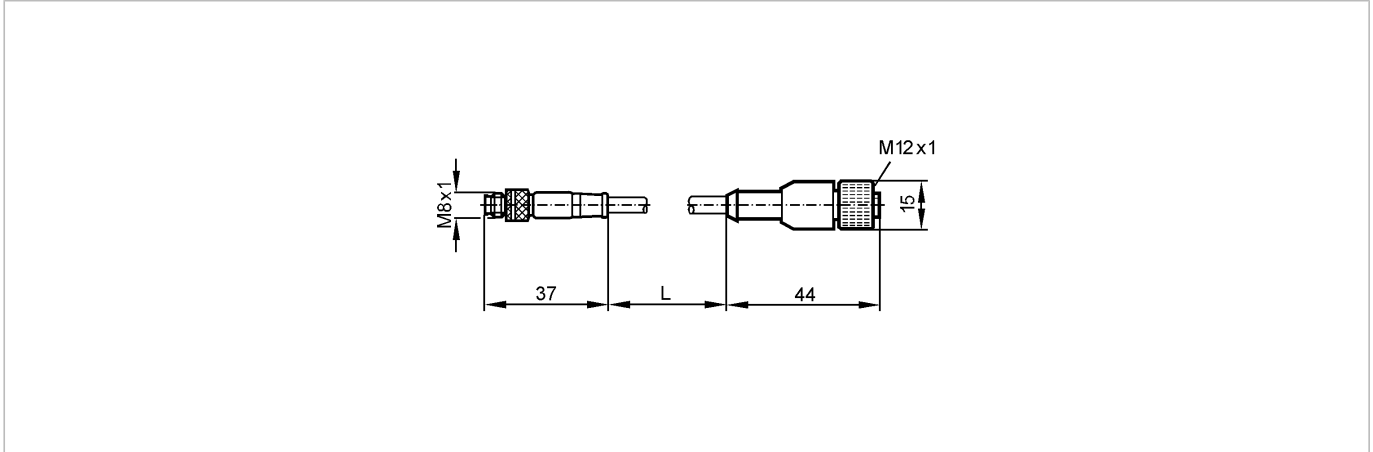
ecomat 400

E11259



VDOGH040MSS0001H04STGF040MSS

Connection technology



Product characteristics

Patchcords

M8-plug / M12-socket

Free from silicone

Free from halogen

gold-plated contacts

Electrical data

Electrical design

Operating voltage [V]

AC/DC

60 AC / 75 DC

Current rating [A]

3

Protection class

III

Environment

Ambient temperature [°C]

-25...85

Protection

IP 68

Mechanical data

Design

straight / straight

Material body

PUR

Material nut

brass; nickel-plated

Tightening torque for knurled nut [Nm]

plug: 0.6...0.7 / socket: 0.7...0.9

Weight [kg]

0.051

Electrical connection

Connection

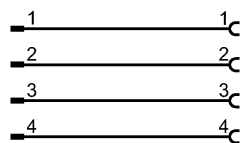
PUR cable / 1 m;

4 x 0.25 mm² (32 x Ø 0.1 mm); Ø 5 mm; halogen-free

Sheath color

black

Wiring



Remarks

Pack quantity [piece]

1