

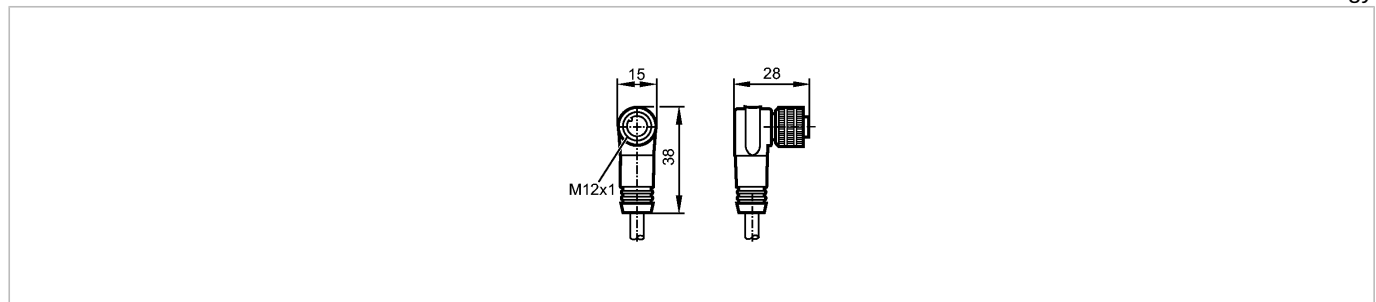
Please note the wiring of the sensor and the sockets (see data sheet) as for 8-pole sockets the core colours are not standardised.

ecomat 400
E11231



ADOAH080MSS0002H08

Connection technology



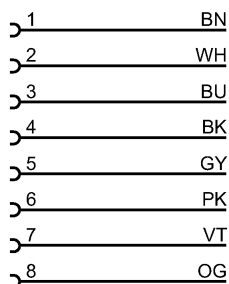
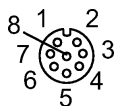
Product characteristics

Socket	
For sensors with	
M12 connector	
Free from silicone	
Free from halogen	
gold-plated contacts	
Electrical data	
Electrical design	AC/DC
Operating voltage [V]	30 AC / 36 DC
Current rating [A]	2; (...40 °C)
Protection class	III
Environment	
Ambient temperature [°C]	-25...80
Protection	IP 67
Mechanical data	
Design	angled
Material body	PUR
Material nut	brass; nickel-plated
Tightening torque for knurled nut [Nm]	0.7...0.9
Weight [kg]	0.136
Electrical connection	
Connection	PUR cable / 2 m; 8 x 0.25 mm²; Ø 6.2 mm; halogen-free
Sheath color	black

Wiring

Core colors

- BK black
- BN brown
- BU blue
- GY grey
- PK pink
- OG orange
- VT lilac
- WH white



Colours to DIN EN 60947-5-2

Remarks	
Pack quantity [piece]	1