

no longer available - archive entry replaced by: EBC050

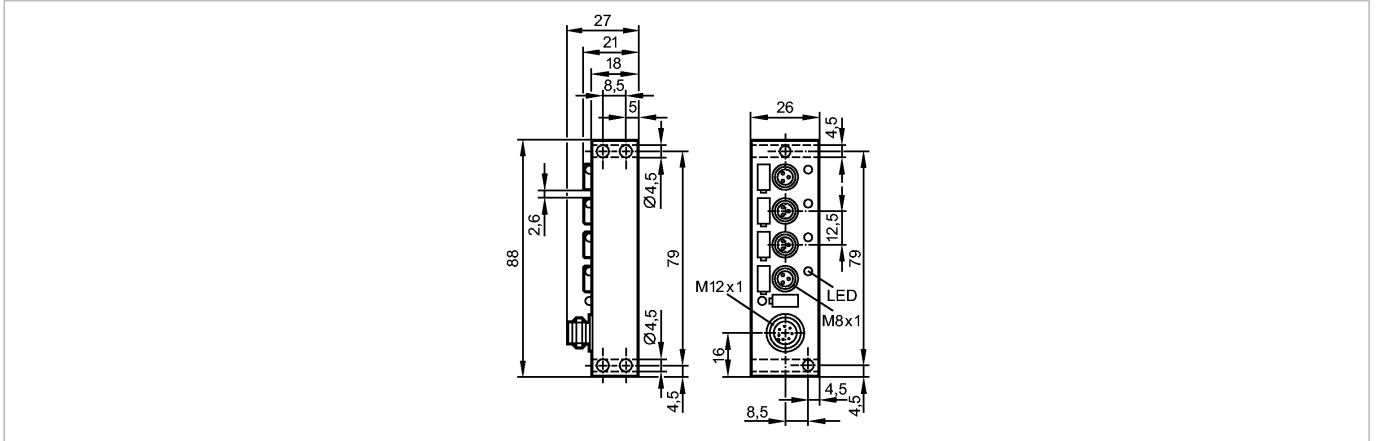
ecomat 400

E11216



ZDO4F035MSS0000-STGH080MSS

Connection technology



Product characteristics

Wiring block

Quick disconnect

gold-plated contacts

Electrical data

Electrical design

Operating voltage [V]

Max. total current load [A]

Max. current load per location [A]

Protection class

Environment

Ambient temperature [°C]

Protection

Mechanical data

Design

Housing materials

Weight [kg]

Displays / operating elements

Output status indication LED

Power LED

Electrical connection

Connection

DC

10...30 DC

6

2

III

-25...90

IP 68

4 way

PBT-GF 20; brass nickel-plated

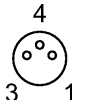
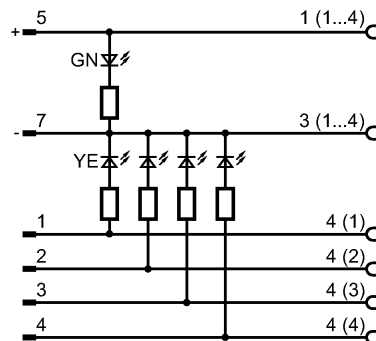
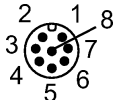
0.082

4 x yellow

green

M12 connector

Wiring



Remarks

Pack quantity

[piece]

1

Other data

E11216 - Wiring block - eclass: 27279201 / 27-27-92-01

Ports

M8

ifm efector, inc. • 1100 Atwater Drive • Malvern • PA 19355 — We reserve the right to make technical alterations without prior notice. — US — E11216 — 01.09.2008
no longer available - archive entry replaced by: EBC050