

no longer available - archive entry replaced by: EBC055

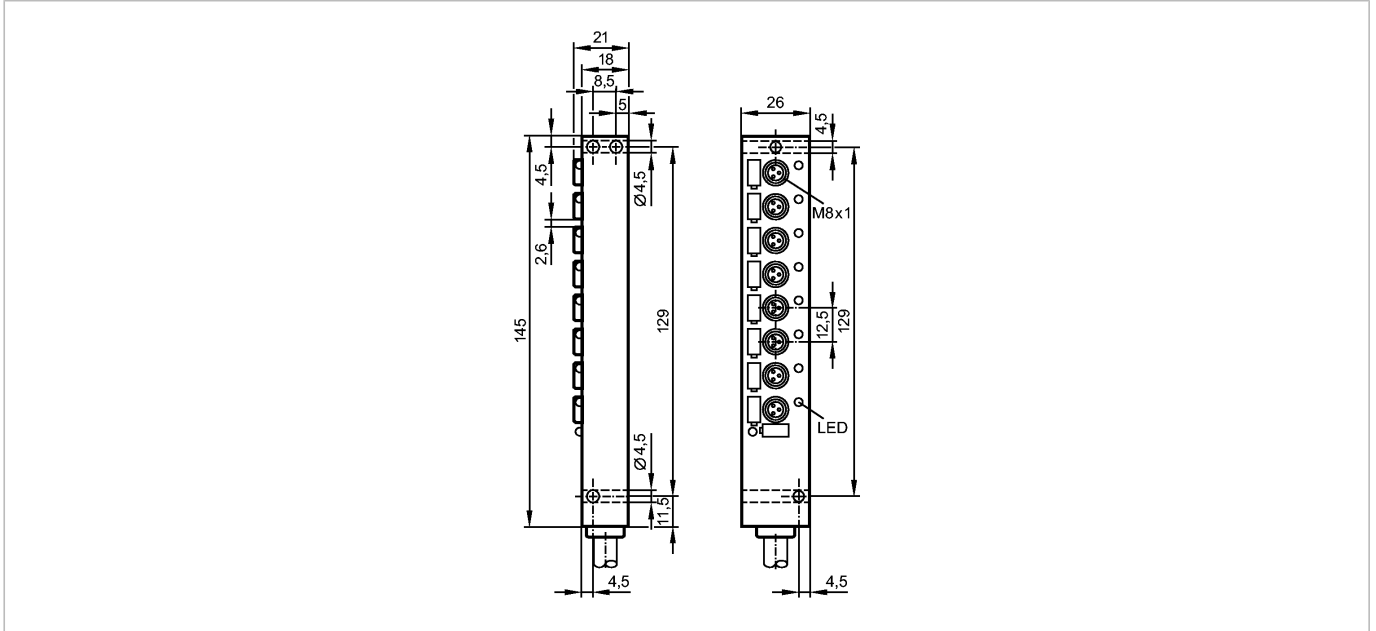
**ecomat 400**

E11215



ZDO8F039MSS0010H10

Connection technology



Product characteristics

Wiring block

Cable

gold-plated contacts

Electrical data

Electrical design

Operating voltage [V]

Max. total current load [A]

Max. current load per location [A]

Protection class

Environment

Ambient temperature [°C]

Protection

Mechanical data

Design

Housing materials

Drag chain suitability

Weight [kg]

Displays / operating elements

Output status indication LED

Power LED

Electrical connection

Connection

Sheath color

**Wiring**

DC

10...30 DC

6

2

III

-25...90

IP 68

8 way

PBT-GF 20; brass nickel-plated

Bending radius for flexible applications:

min. 10 x cable diameter

max. 3.3 m/s for a horizontal travel length of 5 m and max. acceleration of

Travel speed: 5 m/s<sup>2</sup>

Bending cycles: > 5 million

Torsional strain: ± 180 °/m

1.172

8 x yellow

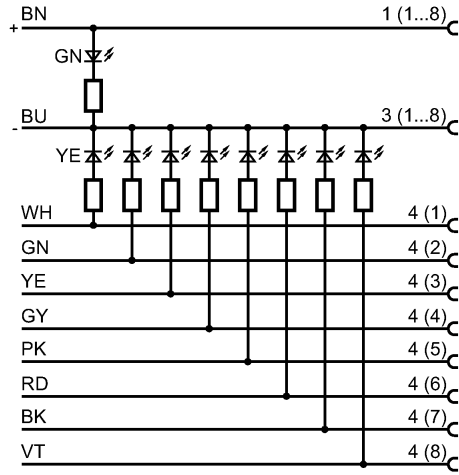
green

PUR cable / 10 m;  
8 x 0.34 mm<sup>2</sup> (42 x Ø 0.1 mm) + 2 x 0.75 mm<sup>2</sup> (96 x Ø 0.1 mm); Ø 9.1 mm;  
halogen-free, Free from silicone

black

**E11215 - Wiring block - eclass: 27279201 / 27-27-92-01**

- Core colors  
 BK black  
 BN brown  
 BU blue  
 GN green  
 GY grey  
 PK pink  
 RD red  
 VT lilac  
 WH white  
 YE yellow



Remarks

Pack quantity [piece] 1

Other data

Ports M8