

no longer available - archive entry replaced by: EBC054

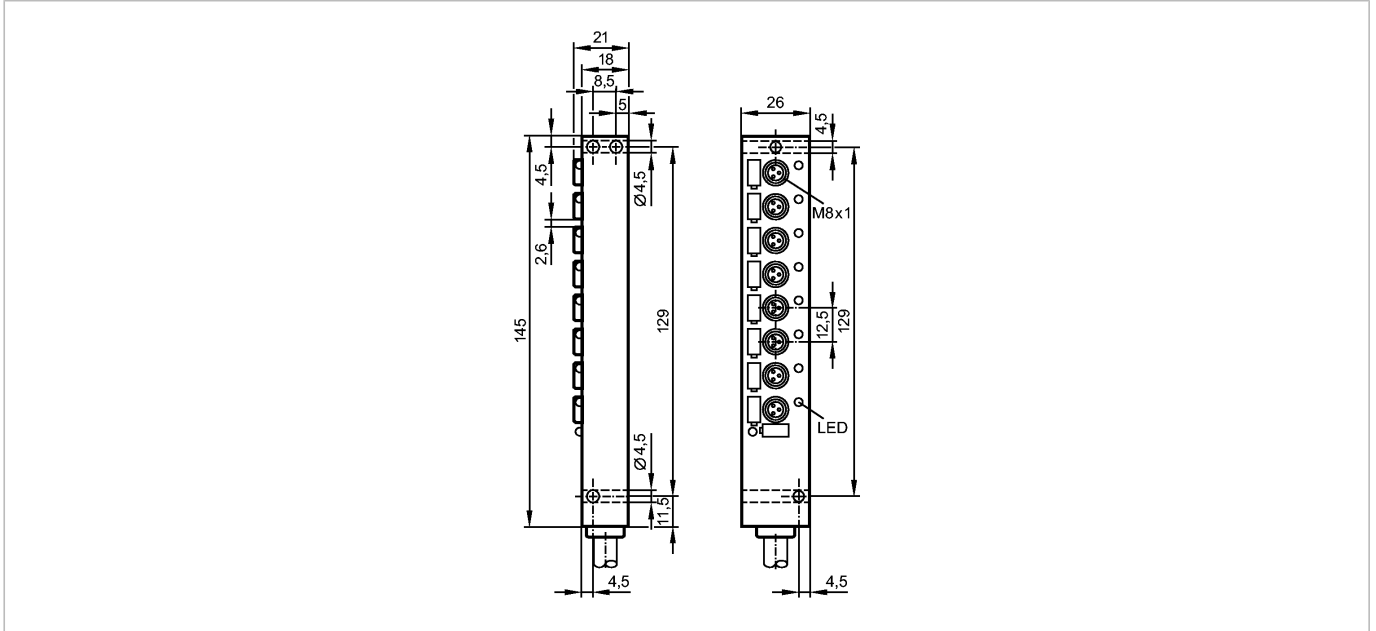
ecomat 400

E11214



ZDO8F039MSS0005H10

Connection technology



Product characteristics

Wiring block

Cable

gold-plated contacts

Electrical data

Electrical design

Operating voltage [V]

Max. total current load [A]

Max. current load per location [A]

Protection class

Environment

Ambient temperature [°C]

Protection

Mechanical data

Design

Housing materials

Drag chain suitability

Weight [kg]

Displays / operating elements

Output status indication LED

Power LED

Electrical connection

Connection

Sheath color

Wiring

DC

10...30 DC

6

2

III

-25...90

IP 68

8 way

PBT-GF 20; brass nickel-plated

Bending radius for flexible applications:

min. 10 x cable diameter

max. 3.3 m/s for a horizontal travel length of 5 m and max. acceleration of

Travel speed: 5 m/s²

Bending cycles: > 5 million

Torsional strain: ± 180 °/m

0.663

8 x yellow

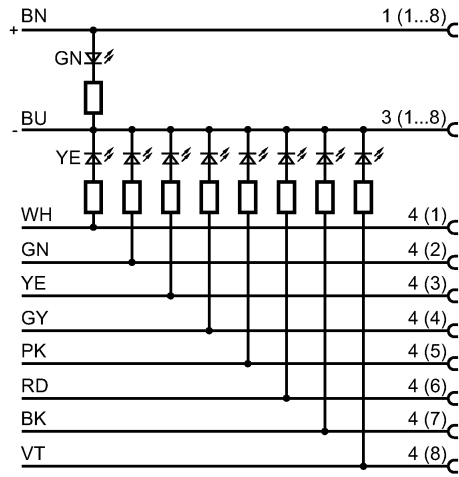
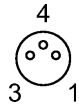
green

PUR cable / 5 m;
8 x 0.34 mm² (42 x Ø 0.1 mm) + 2 x 0.75 mm² (96 x Ø 0.1 mm); Ø 9.1 mm;
halogen-free, Free from silicone

black

E11214 - Wiring block - eclass: 27279201 / 27-27-92-01

- Core colors
- BK black
 - BN brown
 - BU blue
 - GN green
 - GY grey
 - PK pink
 - RD red
 - VT lilac
 - WH white
 - YE yellow



Remarks

Pack quantity

[piece]

1

Other data

Ports

M8