

no longer available - archive entry Alternative article: EVC243

When selecting an alternative article and accessories please note that technical data may differ!

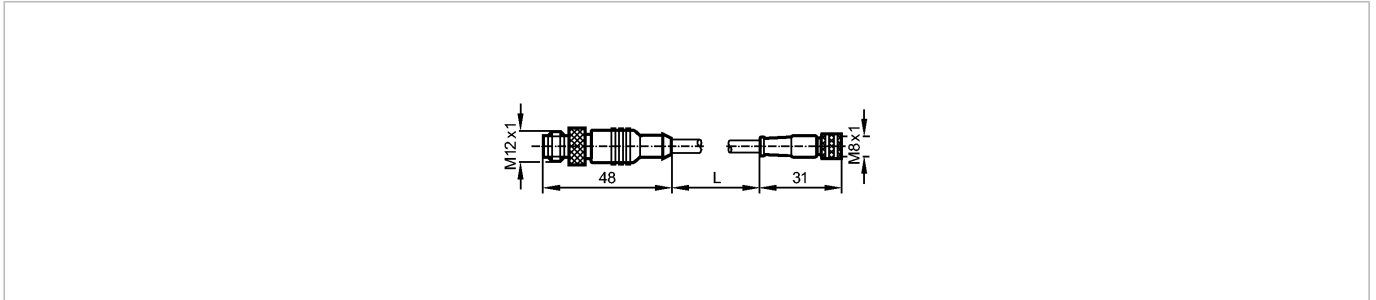
ecomat 400

E11211



VDOGF040MSS0002H04STGH040MSS

Connection technology



Product characteristics

Patchcords

M12 plug / M8 socket

Free from silicone

Free from halogen

gold-plated contacts

Electrical data

Electrical design

Operating voltage [V]

Current rating [A]

Protection class

Environment

Ambient temperature [°C]

Protection

Mechanical data

Design

Material body

Material nut

Tightening torque for knurled nut [Nm]

Weight [kg]

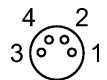
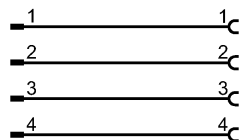
Electrical connection

Connection

Sheath color

	AC/DC
	60 AC / 75 DC
	3
	III
	-25...85
	IP 68
	straight / straight
	PUR
	brass; nickel-plated
	plug: 0.7...0.9 / socket: 0.6...0.7
	0.076
	PUR cable / 2 m;
	4 x 0.25 mm ² (32 x Ø 0.1 mm); Ø 4.4 mm; halogen-free
	black

Wiring



Remarks

Pack quantity

[piece]

1

ifm efector, inc. • 1100 Atwater Drive • Malvern • PA 19355 — We reserve the right to make technical alterations without prior notice. — US — E11211 — 05.09.2008

no longer available - archive entry Alternative article: EVC243

When selecting an alternative article and accessories please note that technical data may differ!