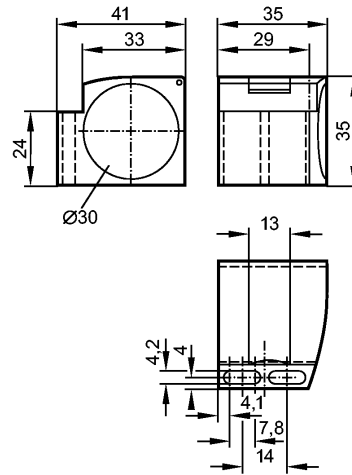


MOUNTING CLAMP M30

Accessories



Product characteristics

Mounting clamp

Ø 30 mm

Environment

Ambient temperature

[°C]

-25...85

Mechanical data

Design

with end stop for types M30

Housing materials

PC

Weight

[kg]

0.022

Remarks

Pack quantity

[piece]

1