

no longer available - archive entry

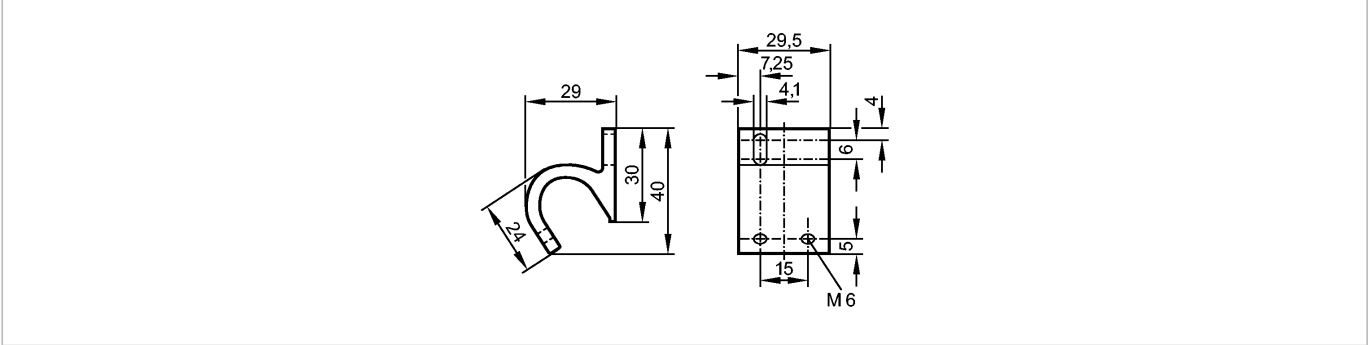
efector120

E10892



CLAMP 18 MM

Accessories



Product characteristics

Clamp

Mechanical data

| | |
|-----------------------|---|
| Design | for pneumatic cylinder; For profile cylinders with a rod width of up to 18 mm |
| Housing materials | aluminum |
| Weight [kg] | 0.037 |
| Remarks | |
| Pack quantity [piece] | 1 |

ifm efector, inc. • 1100 Atwater Drive • Malvern • PA 19355 — We reserve the right to make technical alterations without prior notice. — US — E10892 — 06.03.2003

no longer available - archive entry