

no longer available - archive entryAlternative article: E11099

When selecting an alternative article and accessories please note that technical data may differ!

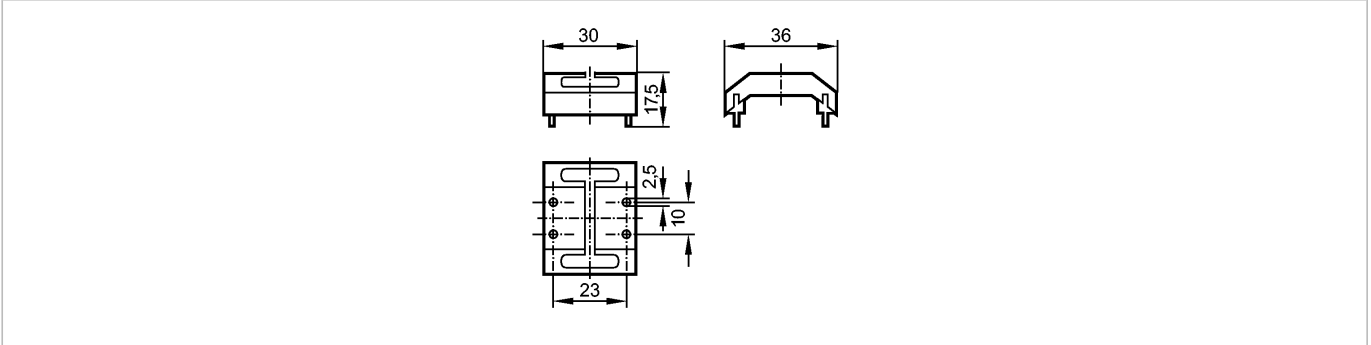
efectoriso

E10879



Mounting adapter

Accessories



Product characteristics

Mounting adapter

Mechanical data

Design	for capacitive level sensors for types KNQ
Housing materials	PBT (Pocan)
Weight [kg]	0.011
Remarks	
Remarks	Mounting strap (E10880) to be ordered separately
Pack quantity [piece]	1

ifm efector, inc. • 1100 Atwater Drive • Malvern • PA 19355 — We reserve the right to make technical alterations without prior notice. — US — E10879 — 06.03.2003

no longer available - archive entryAlternative article: E11099

When selecting an alternative article and accessories please note that technical data may differ!