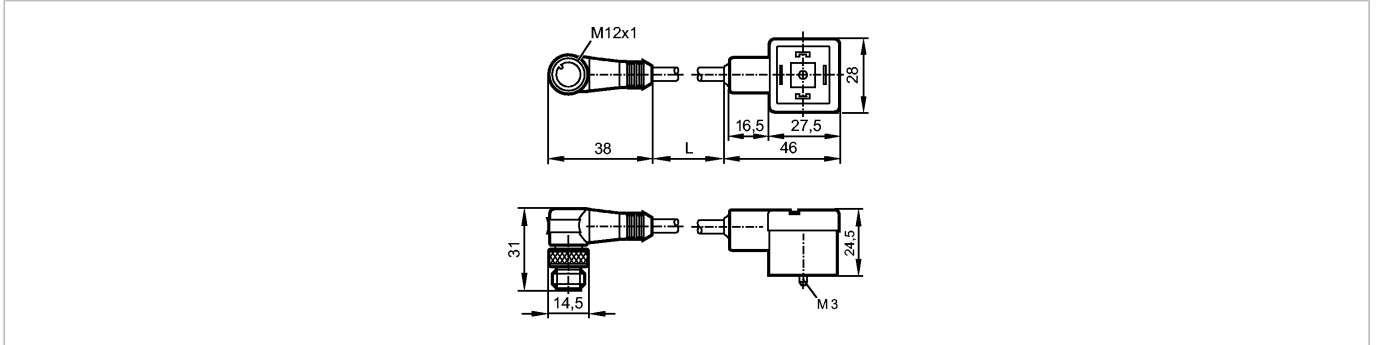




VVDAA040--N00.3E02STAH050VAN

Connection technology



Product characteristics

Patchcords

M12 plug / valve plug type A (according to DIN EN 175301-803)

NAMUR

Electrical data

Electrical design

DC

Operating voltage [V]

...15 DC

Environment

Ambient temperature [°C]

-25...90

Protection

IP 67

Mechanical data

Design

angled / angled

Material body

TPU (urethane); PUR

Material nut

stainless steel 316L / 1.4404

Weight [kg]

0.052

Electrical connection

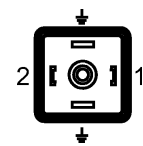
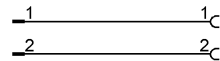
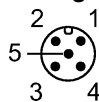
Connection

PVC cable / 0.3 m; 2 x 0.5 mm<sup>2</sup>; Ø 5.1 mm

Sheath color

blue

Wiring



Accessories

Accessories (included)

screw; tag for labelling

Remarks

Remarks

For use in zone 0, group IIB or IIC the user has to avoid intensive electrostatic charge build-up at the sockets.

Pack quantity [piece]

1