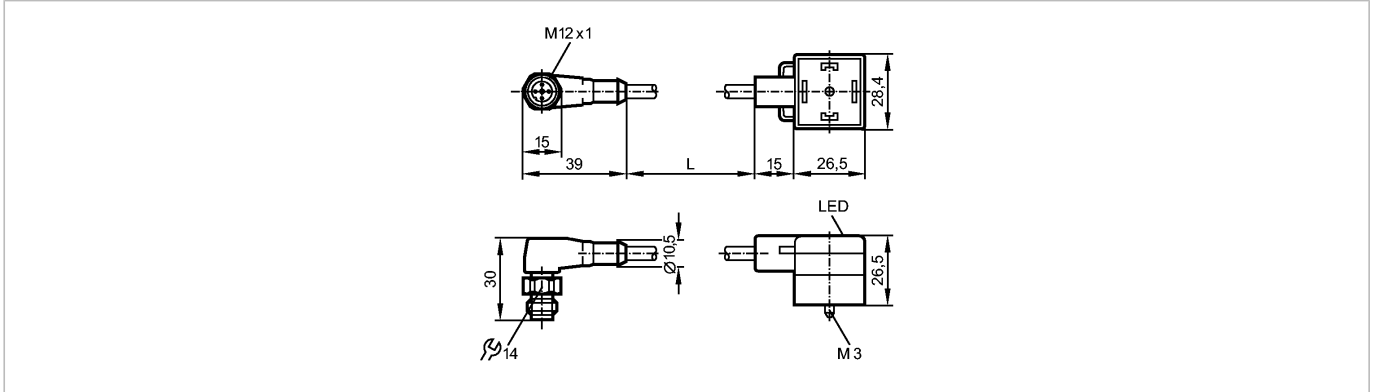




VVSAB041MSS00.6A03STAH030VAS

Connection technology



**Product characteristics**

**Patchcords**

M12 plug / valve plug type A (according to DIN EN 175301-803)

with protective circuitry

Free from halogen

**Electrical data**

**Electrical design**

AC/DC

Operating voltage [V]

24 AC/DC

Overvoltage protection VDR

•

**Environment**

Ambient temperature [°C]

-25...90

Protection

IP 67

**Mechanical data**

**Design**

angled / angled

Material body

TPU (urethane)

Material nut

stainless steel 316L / 1.4404

Weight [kg]

0.075

**Displays / operating elements**

Power LED

yellow

**Electrical connection**

Connection

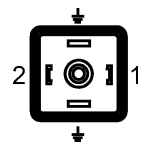
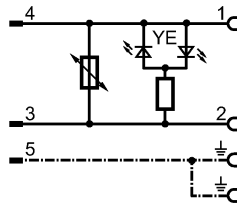
PUR cable / 0.6 m;

3 x 0.5 mm<sup>2</sup> (16 x Ø 0.2 mm); Ø 4.8 mm; halogen-free

Sheath color

black

**Wiring**



**Accessories**

Accessories (included)

screw; tag for labelling

Remarks

Pack quantity [piece]

1