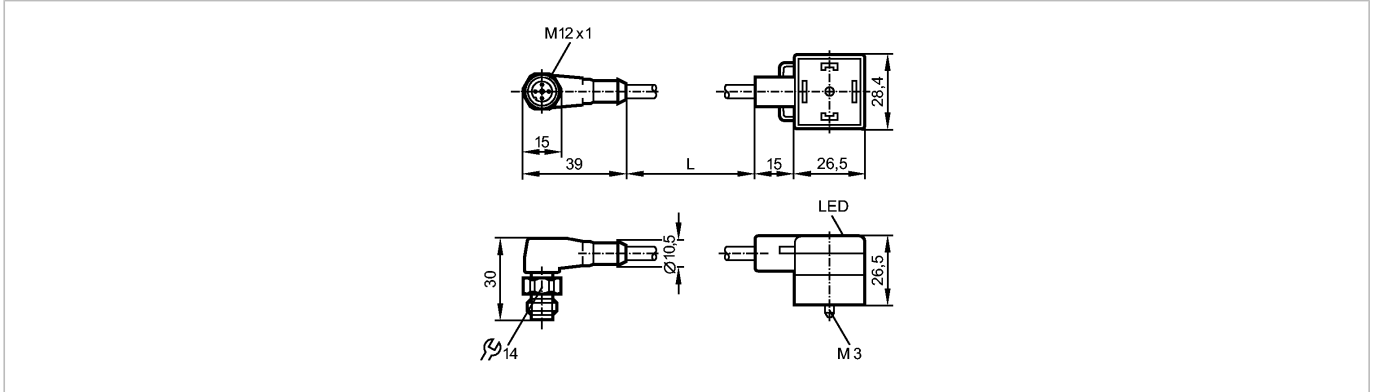




VVDAA041--S00.3A03STAH030VAS

Connection technology



Product characteristics

Patchcords

M12 plug / valve plug type A (according to DIN EN 175301-803)
with protective circuitry

Free from halogen

Electrical data

Electrical design

AC/DC

Operating voltage [V]

24 AC/DC

Overvoltage protection VDR

•

Environment

Ambient temperature [°C]

-25...90

Protection

IP 67

Mechanical data

Design

angled / angled

Material body

TPU (urethane)

Material nut

stainless steel 316L / 1.4404

Weight [kg]

0.061

Displays / operating elements

Power

LED

yellow

Electrical connection

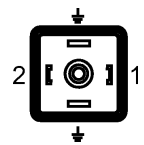
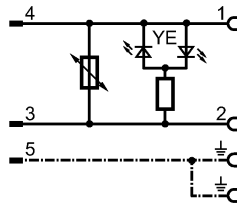
Connection

PUR cable / 0.3 m;
3 x 0.5 mm² (16 x Ø 0.2 mm); Ø 4.8 mm; halogen-free

Sheath color

black

Wiring



Accessories

Accessories (included)

screw; tag for labelling

Remarks

Pack quantity

[piece]

1