

no longer available - archive entry

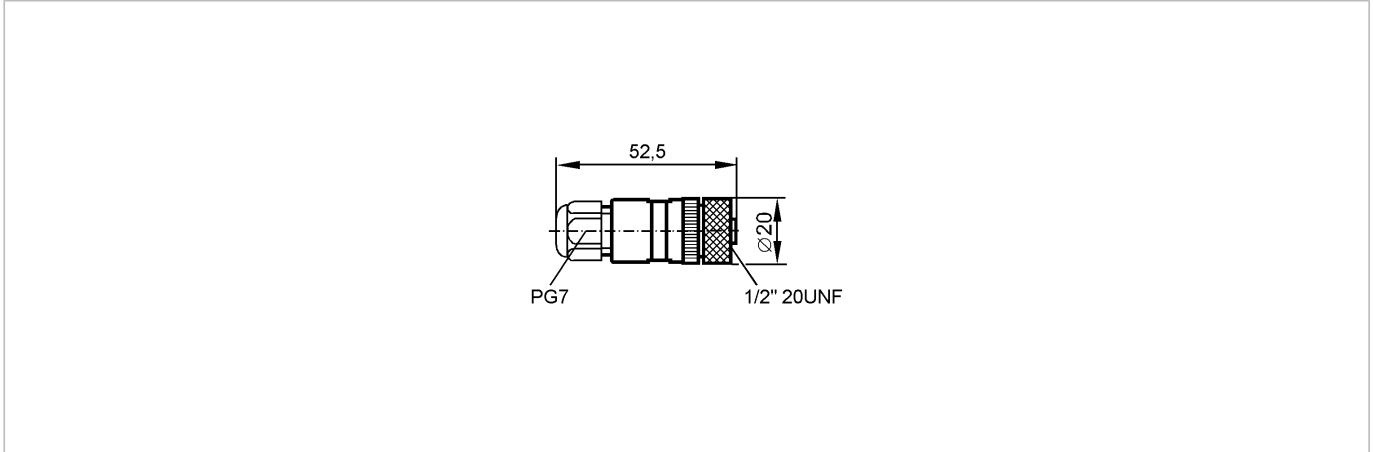
ecomat 400

E10789



SDOGA030MSSFKPG

Connection technology



Product characteristics

Wireable socket

For sensors with

1/2" connector

wireable

Electrical data

Electrical design

AC

Operating voltage [V]

250 AC

Environment

Ambient temperature [°C]

-25...90

Protection

IP 67

Mechanical data

Design

straight

Material body

PA

Material nut

brass; nickel-plated

Weight [kg]

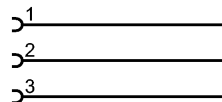
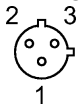
0.025

Electrical connection

Connection

terminals up to 0.75 mm²

Wiring



Remarks

Pack quantity

[piece]

1

ifm efector, inc. • 1100 Atwater Drive • Malvern • PA 19355 — We reserve the right to make technical alterations without prior notice. — US — E10789 — 03.11.2003

no longer available - archive entry